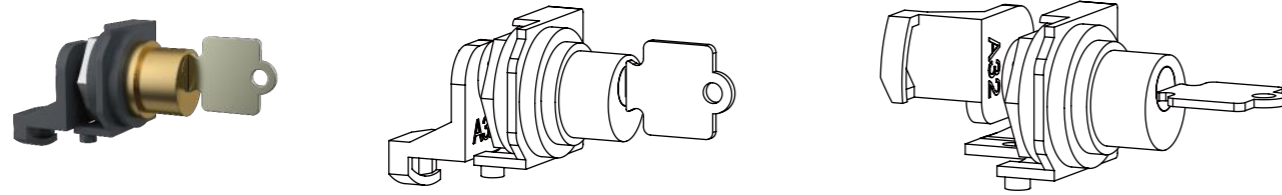


Kirk Key Adapters for ACBs

Optional for A Series Power Circuit Breakers and Non-automatic Switches.



Locked
The breaker can not be closed

Unlocked
The breaker can be closed

Note: It's provided with adapted kit only, and the keylock is dedicated for Kirk Key Type C (#KCAM00010), purchased by users.

What You Need:



Kirk Key Interlock Kit



Ring cover



Kirk Keylock Type C
(purchased from Kirk, #KCAM00010)



Phillips Screwdriver

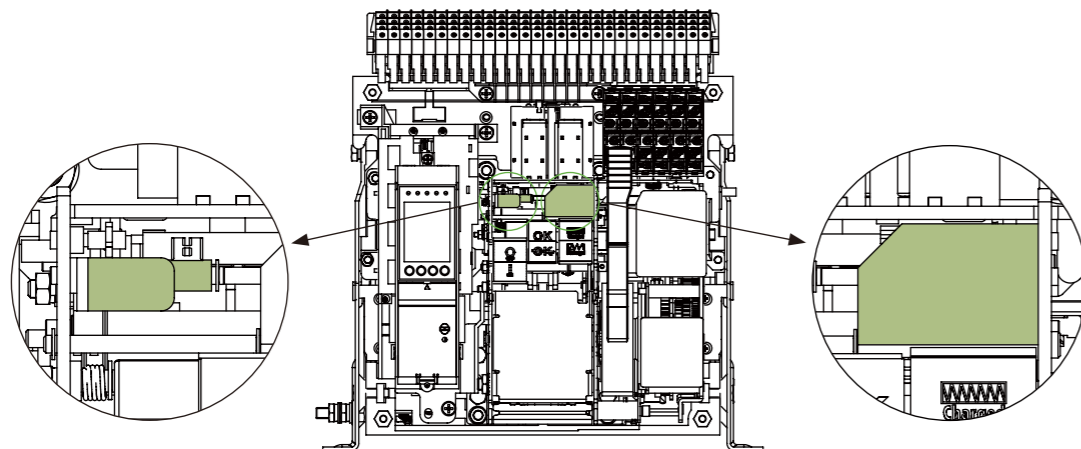


Wrench



Hole saw (1 inch)

Operation



Open push-button

Closing push-button

Kirk Key Adapters for ACBs

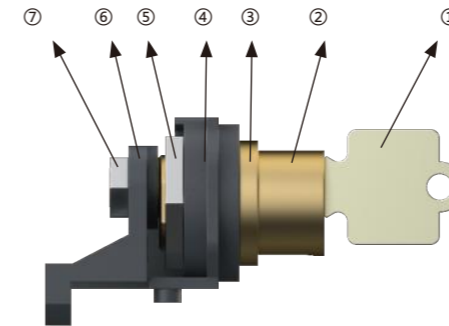
Locking operation:

1. Press and hold the open push-button.
2. Rotate the key counterclockwise to vertical position.
3. Release the open push-button and complete locking.

Unlocking operation:

Insert the key and rotate clockwise to horizontal position.

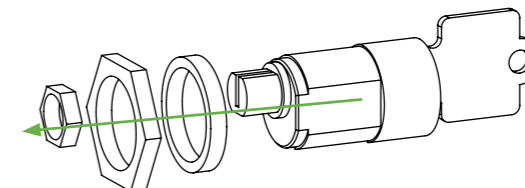
Installation



- ①. Key
- ②. Kirk lock
- ③. Metal washer (not part of kit, supplied with key lock)
- ④. Bracket
- ⑤. Large nut (not part of kit, supplied with key lock)
- ⑥. Lever
- ⑦. Small nut (not part of kit, supplied with key lock)

STEP 1:

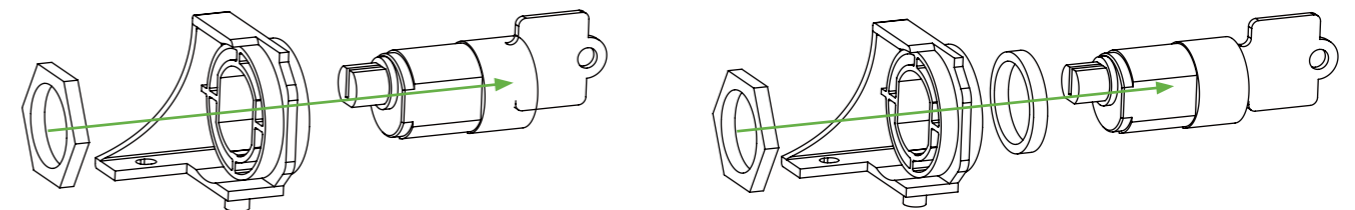
Remove all the nuts and washers in sequence.



STEP 2:

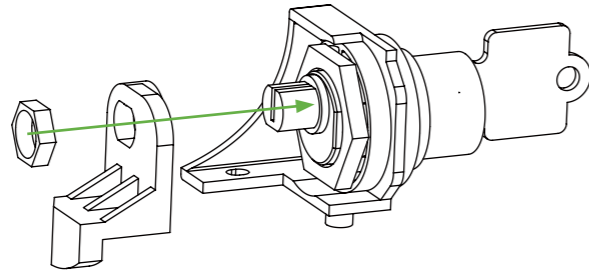
A25/ASD25: Insert the ② Kirk lock into the ④ Bracket, then screw ⑤ Large nut (Torque value should be 5~7N·m).

A32/ASD32/A40/ASD40 Circuit Breaker: Insert the ② Kirk lock into ③ Metal washer and ④ Bracket, then screw the ⑤ Large nut (Torque value should be 5~7N·m).

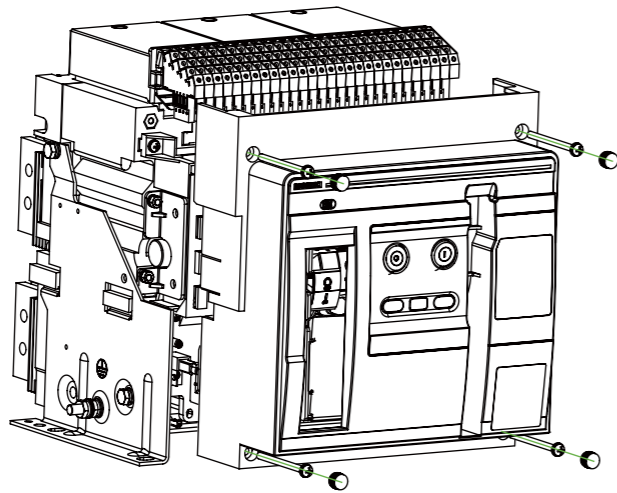


Kirk Key Adapters for ACBs

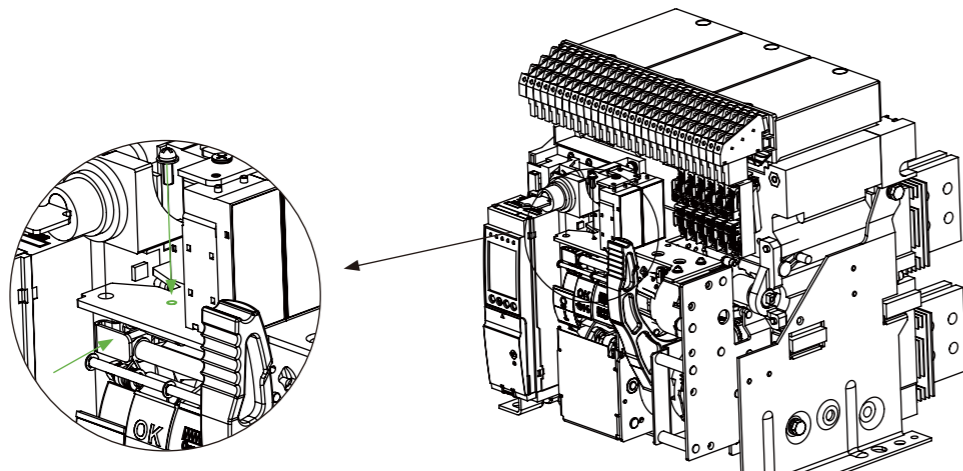
STEP 3:
Insert ⑥ Lever into the ② Kirk lock, then screw ⑦ Small nut (The torque should be 5~7N·m).



STEP 4:
1.Remove the rubber plugs.
2.Loosen the 4 screws on front cover.
3.Rotate the charging handle down and slide the front cover over the handle to remove the front cover as shown below.



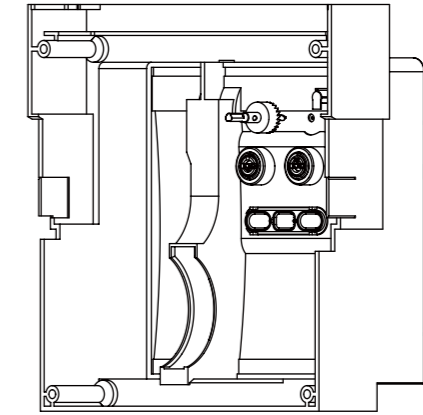
STEP 5:
1.Set the key in unlock status.
2.Place the lock kit on the top plate and located in the mounting hole.
3.Screw in the bolt, the torque should be (1.0-1.5) N·m.
4.Press and hold the open push-button, rotate the key counterclockwise to vertical position.
5.Remove the key from the lock.



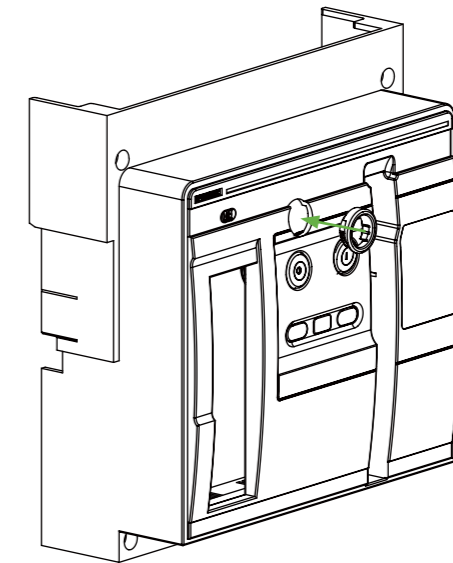
Kirk Key Adapters for ACBs

STEP 6:
Use the hole saw (1 inch) to punch a hole the front cover.

Note:
The hole saw should be perpendicular to the front cover and not skewed.
The burrs at the edge of the hole should be cleaned up to prevent interfering with the installation of the ring cover.



STEP 7:
Install the ring cover and ensure it is firmly stuck.



STEP 8:
Install the front cover, tighten the mounting screws (The torque should be 2.0-3.0 N·m), and install the rubber plugs.

STEP 9:
Charge the breaker. Rotate the key counterclockwise to the locking position, press the closing push-button, and check whether the keylock works reliably.