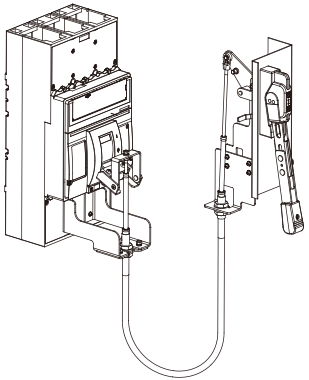


# Instruction of Flange Handle Mechanism Assembly

Use with M6



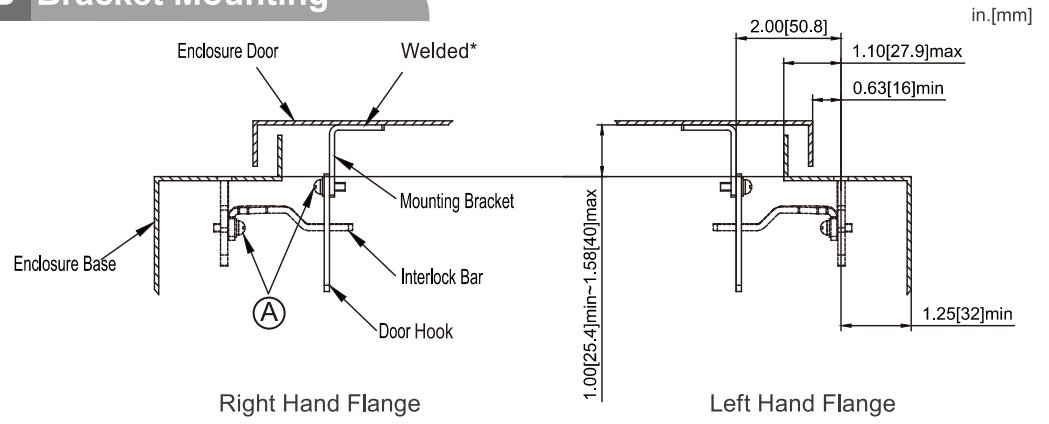
The manufacturer assumes no responsibility for unfavourable consequence resulting from the non-application or incorrect application of the instructions provided herein.

El fabricante no asume ninguna responsabilidad por consecuencias desfavorables que resulten de no seguir las instrucciones, precauciones advertencias proporcionadas en este documento.

Le fabricant ne saurait être tenu pour responsable des conséquences entraînées par toute utilisation allant à l'encontre des instructions incluses dans ce manuel.



## B Bracket Mounting



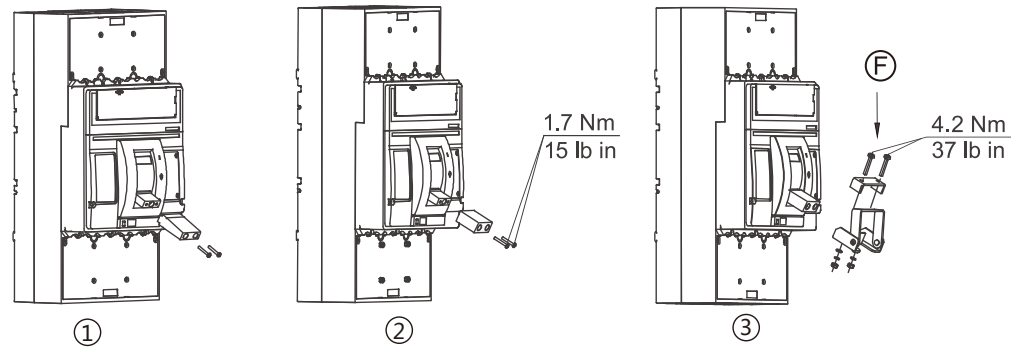
\*The mounting bracket can be mounted by using screws.

## C OMB mounting

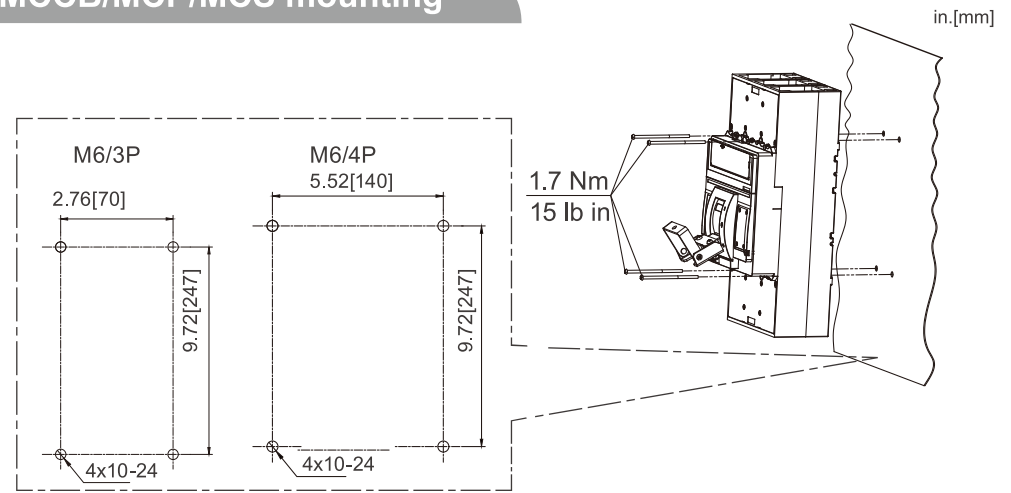
Loose the screws, get the handle cover removed from the breaker handle

Mount the handle cover that is specifically designed for OMB mounting

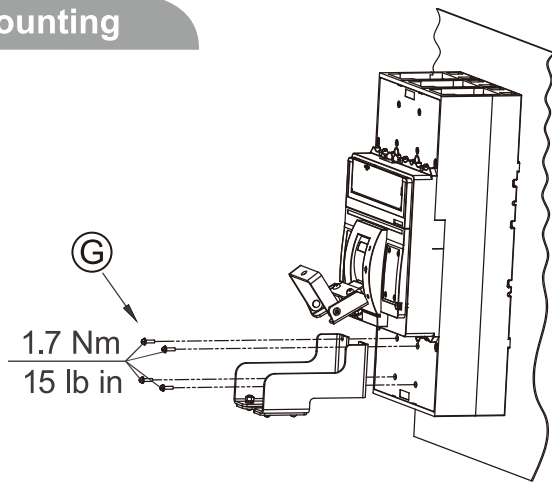
OMB mounting



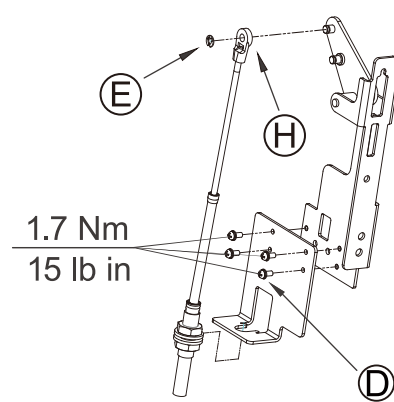
## D MCCB/MCP/MCS mounting



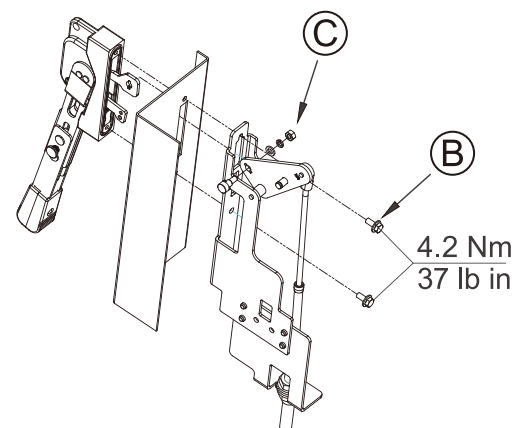
## E OMB mounting



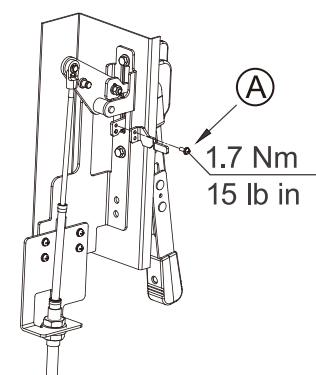
## F Installation of FSB and OMC



## G Installation of Flange Handle and OMC



## H Interlock Bar Mounting



## WARNING

DO NOT ATTEMPT TO INSTALL OR PERFORM MAINTENANCE ON EQUIPMENT WHILE IT IS ENERGIZED. DEATH, SEVERE PERSONAL INJURY, OR SUBSTANTIAL PROPERTY DAMAGE CAN RESULT FROM CONTACT WITH ENERGIZED EQUIPMENT.

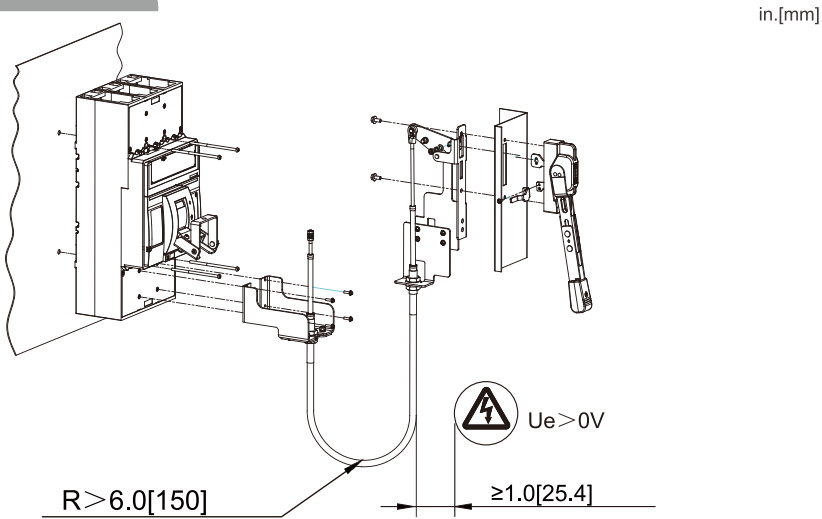
ALWAYS VERIFY THAT NO VOLTAGE IS PRESENT BEFORE PROCEEDING WITH THE TASK, AND ALWAYS FOLLOW GENERALLY ACCEPTED SAFETY PROCEDURES.

NOARK IS NOT LIABLE FOR THE MISAPPLICATION OR MISINSTALLATION OF ITS PRODUCTS.

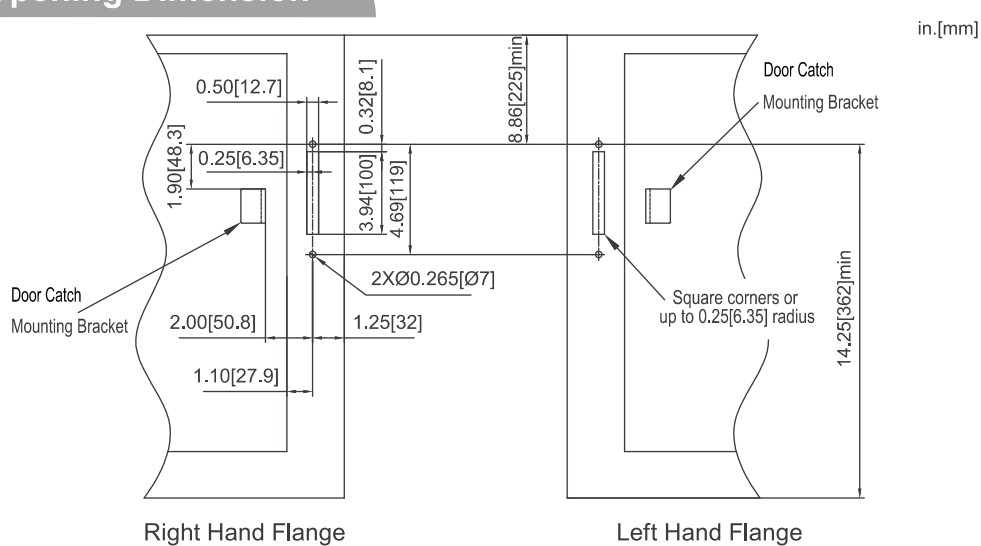
## Parts List

FH4XC	FH4XD	Door Hook		x1
		Mounting Bracket		x1
		Interlock Bar		x1
		Ⓐ		M4x12 x3
		Ⓑ		M6x16 x2
		OMC		
	Ⓒ			
	Mounting Bracket			
	Ⓓ	M5x12		x4
	Ⓔ		x2	
		FSB		
		OMB26		
Ⓕ	M6x35		x2	
Ⓖ	M4x16		x4	
Ⓗ		x1		

## Assembly Overview



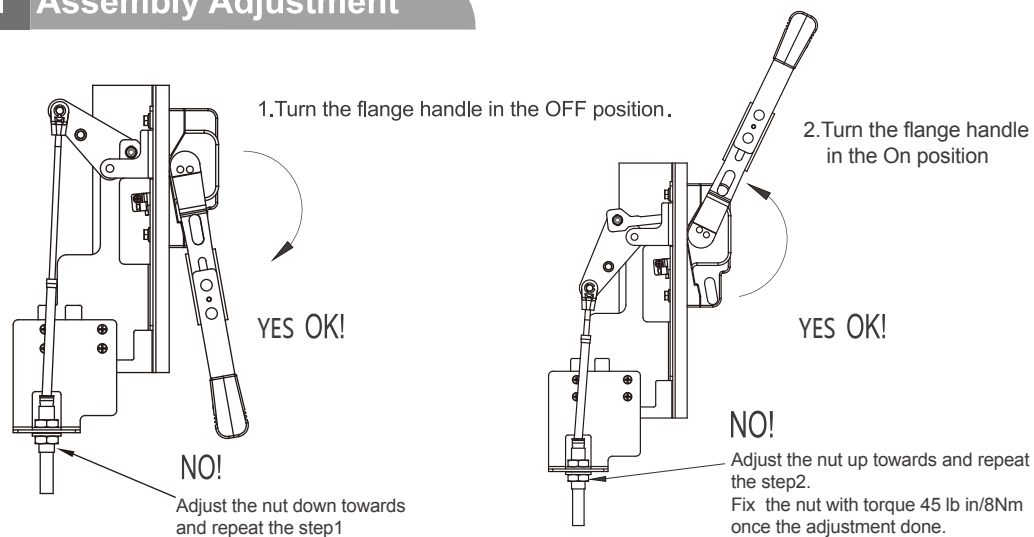
## A Opening Dimension



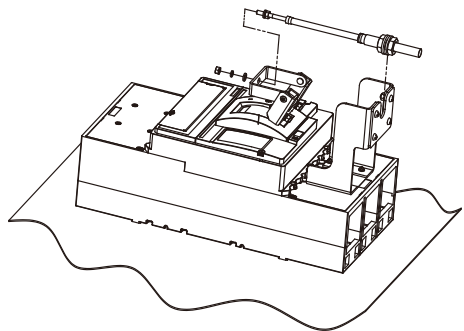
## H Interlock Bar Mounting



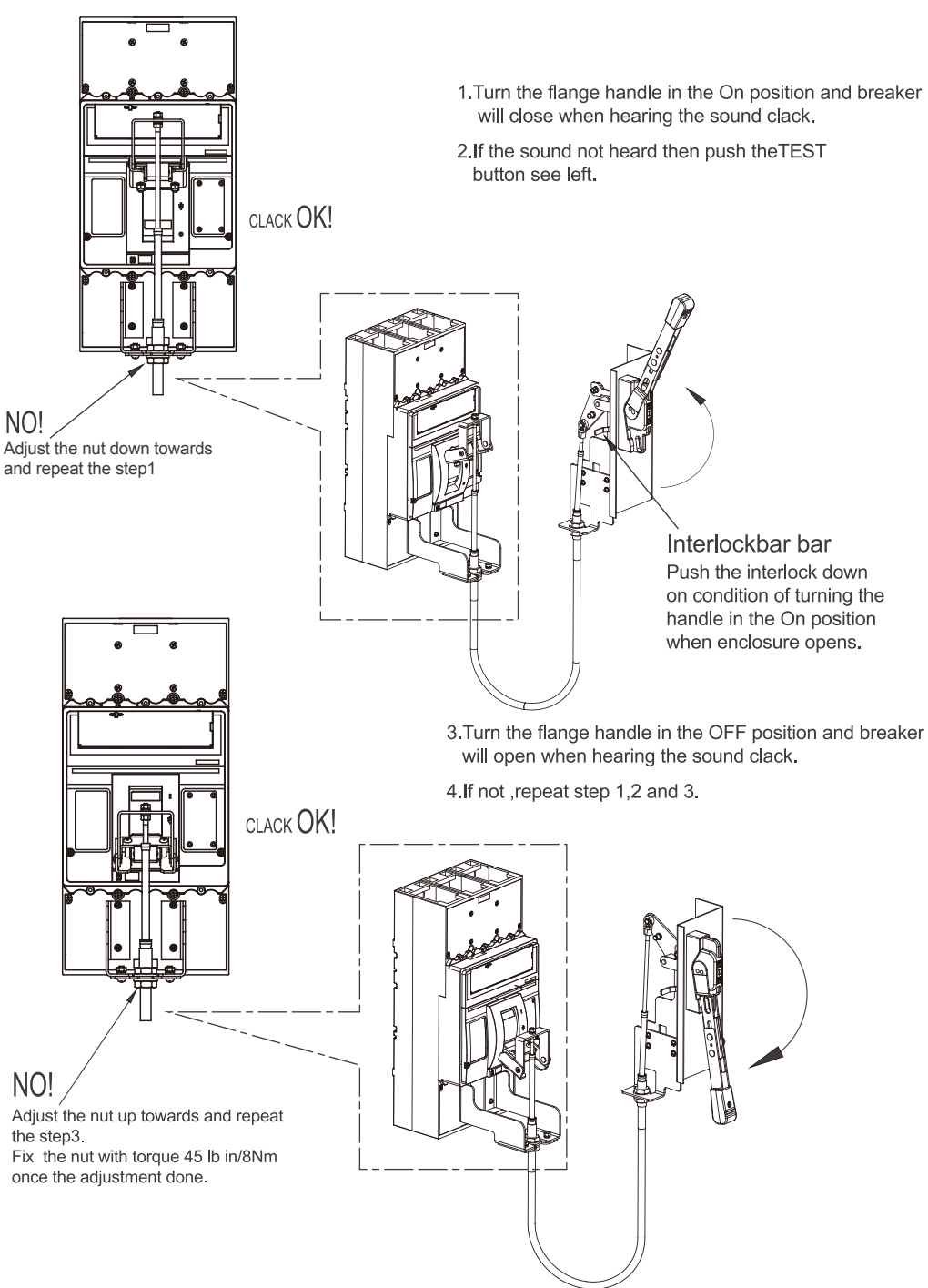
## I Assembly Adjustment



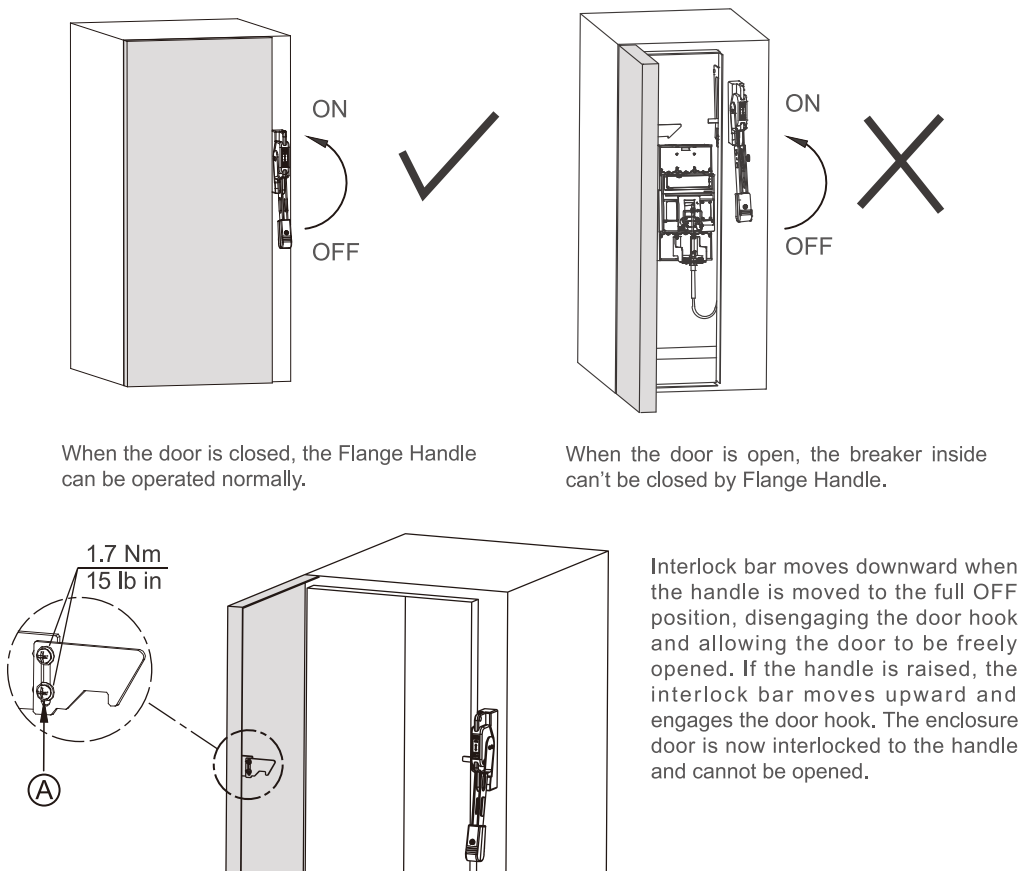
## J Installation of FSB and OMB



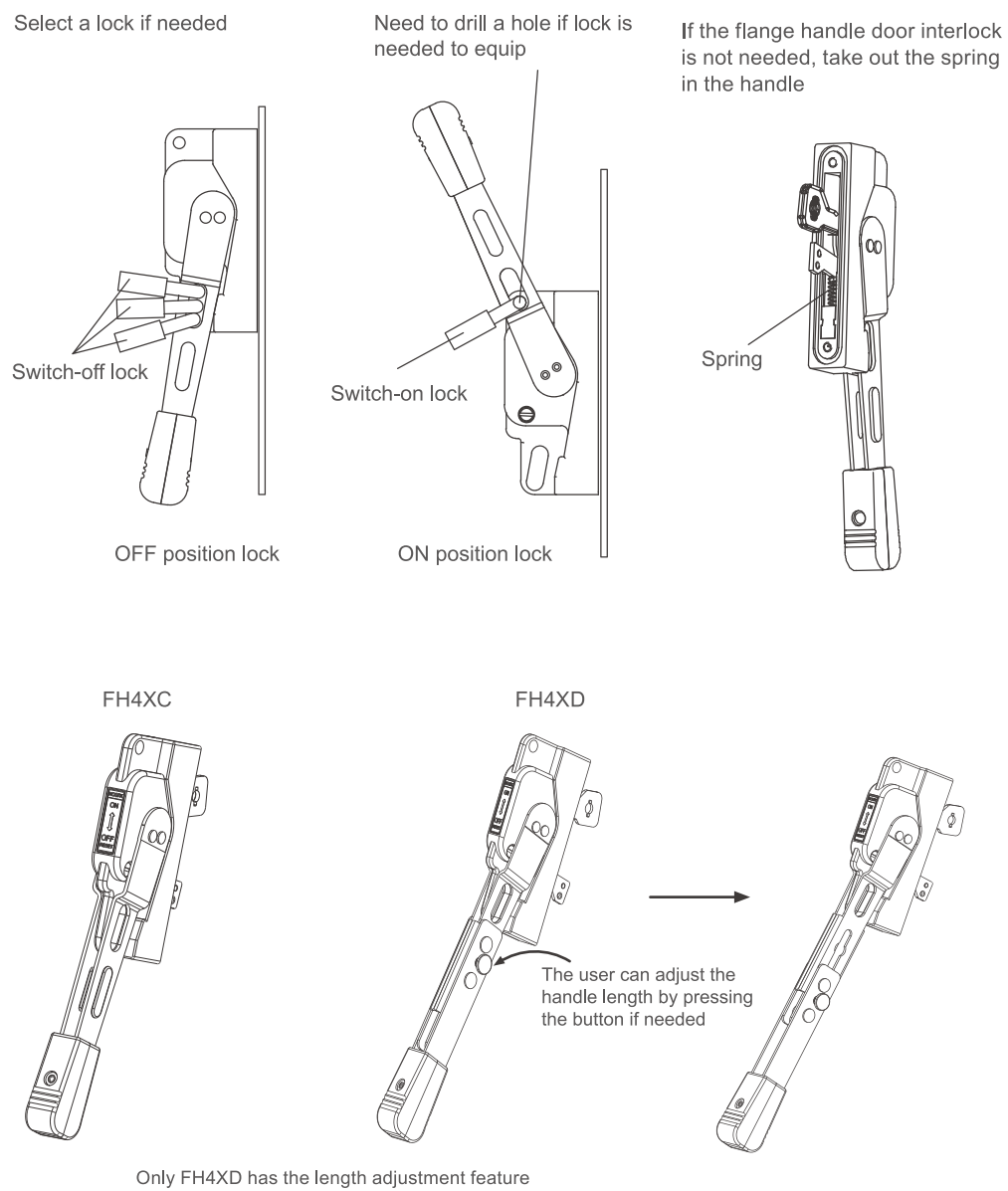
## K Assembly Adjustment



## L Door Interlock



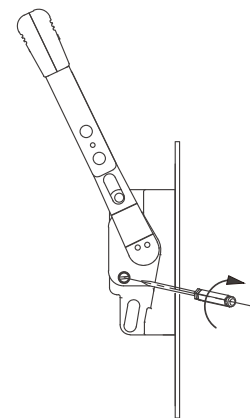
## M Lock



## N Function Check

After mounting the handle, please check the following procedures to assure the handle function:

- Step1.** The handle switches from OFF position to ON position by closing the door and the breaker will switch to ON position. The door can NOT be opened.
- Step2.** Switch the handle from ON position to OFF position, and the breaker will switch to the OFF position. The door can be opened.
- Step3.** The handle can NOT be switched from OFF to ON position with door open.
- Step4.** The handle switches from OFF to ON position by closing the door.
- Step5.** The door can be opened by a screw driver's turning the button clockwise as shown in the right picture.
- Step6.** Then handle switches from ON position to OFF position by closing the door.



In emergency circumstances, the door can be opened by a screw driver's turning the screw clockwise

## Notes

The instructions for installation, testing, maintenance, or repair herein are provided for the use of the product in general commercial applications and may not be appropriate for use in nuclear applications. Additional instructions may be available upon specific request to replace, amend, or supplement these instructions to qualify them for use with the product in safety-related applications in a nuclear facility.

This Instruction Booklet is published solely for information purposes and should not be considered all-inclusive. If further information is required, you should consult an authorized NOARK sales representative.

The sale of the product shown in this literature is subject to the terms and conditions outlined in appropriate NOARK selling policies or other contractual agreement between the parties. This literature is not intended to and does not enlarge or add to any such contract. The sole source governing the rights and remedies of and purchaser of this equipment is the contract between the purchaser and NOARK.

NO WARRANTIES, EXPRESSED OR IMPLIED, INCLUDING WARRANTIES OF FITNESS FOR A PARTICULAR PURPOSE OR MERCHANTABILITY, OR WARRANTIES ARISING FROM COURSE OF DEALING OR USAGE OF TRADE, ARE MADE REGARDING THE INFORMATION, RECOMMENDATIONS, AND DESCRIPTIONS CONTAINED HEREIN.

In no event will NOARK be responsible to the purchaser or user in contact in tort (including negligence), strict liability or otherwise for any special indirect incidental or consequential damage or loss whatsoever including but not limited to damage or loss of use of equipment plant or power system cost of capital loss of power additional expenses in the use of existing power facilities or claims against the purchaser or user by its customers resulting from the use of the information recommendations and description contained herein.



Printed with environment-friendly paper

Copyright Noark. All Rights Reserved

<http://na.noark-electric.com>

ZFH4XC-XD202007UL

**NOARK**