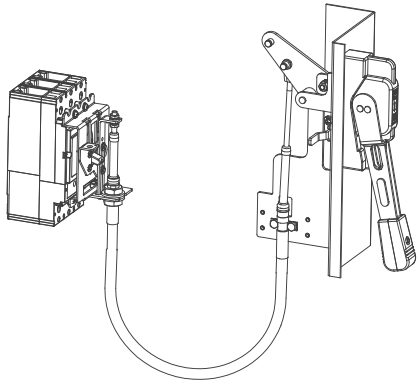


Instruction of Flange Handle Mechanism Assembly

Use with M1/M2/M3/M4/M5



The manufacturer assumes no responsibility for unfavourable consequence resulting from the non-application or incorrect application of the instructions provided herein.

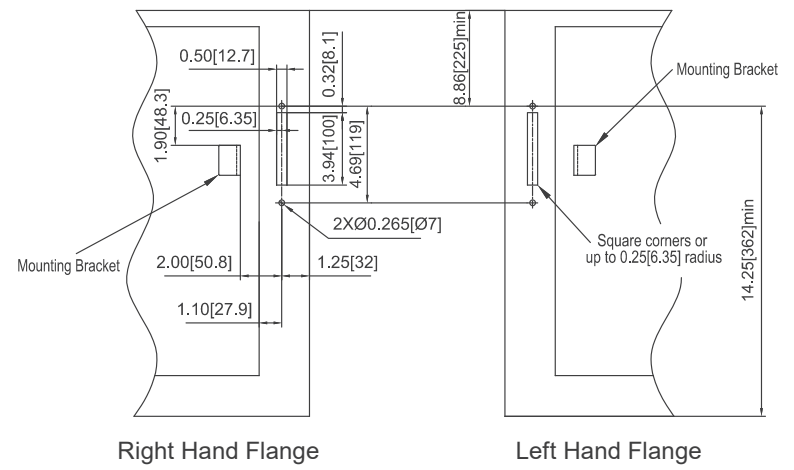
El fabricante no asume ninguna responsabilidad por consecuencias desfavorables que resulten de no seguir las instrucciones, precauciones y advertencias proporcionadas en este documento.

Le fabricant ne saurait être tenu pour responsable des conséquences entraînées par toute utilisation allant à l'encontre des instructions incluses dans ce manuel.



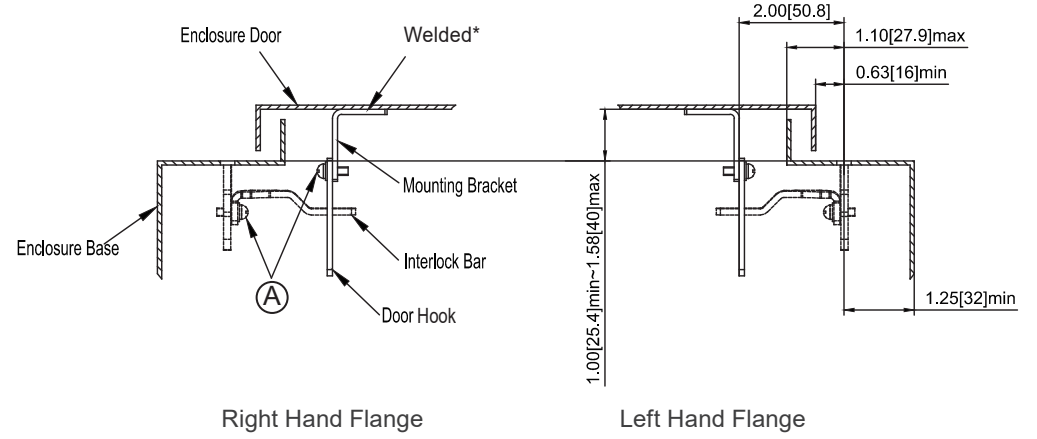
A Opening Dimension

in.[mm]



B Bracket Mounting

in.[mm]



*The mounting bracket can be mounted by using screws.

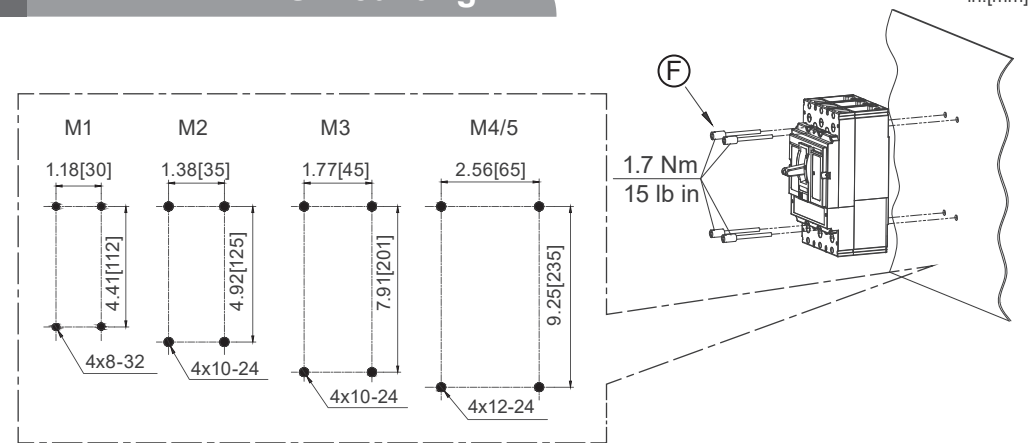
Parts List

FH4XC	FH4XD	Door Hook	x1
		Mounting Bracket	x1
		Interlock Bar	x1
		(A)	M4x12 x3
		(B)	M6x16 x2
OMC		FST	
	(C)		
	Mounting Bracket		
	(D)	M5x12 x4	
	(E)	x2	
	OMB21	OMB22	OMB23
	(F)	x4	x4
	(G)	M4x14 x4	M5x16 x4
	(H)	M5x16 x4	M5x16 x4
	(E)		x1
			x1

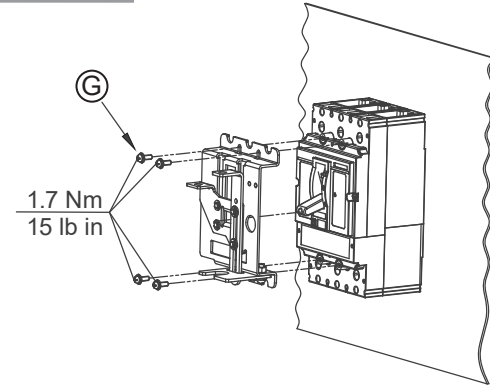
* OMB21 is used for M1; OMB22 is used for M2; OMB23 is used for M3; OMB24 is used for both M4 and M5.

C MCCB/MCP/MCS mounting

in.[mm]

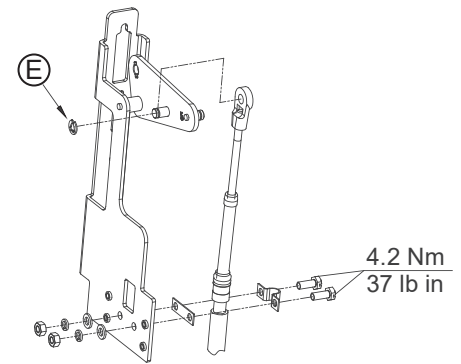


D OMB mounting



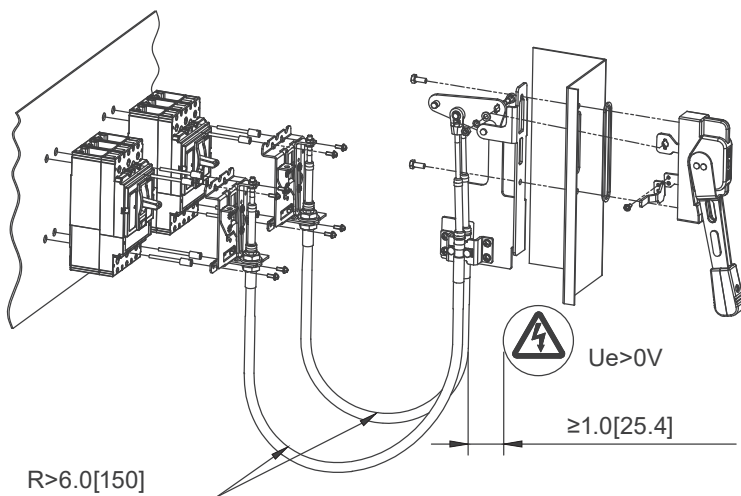
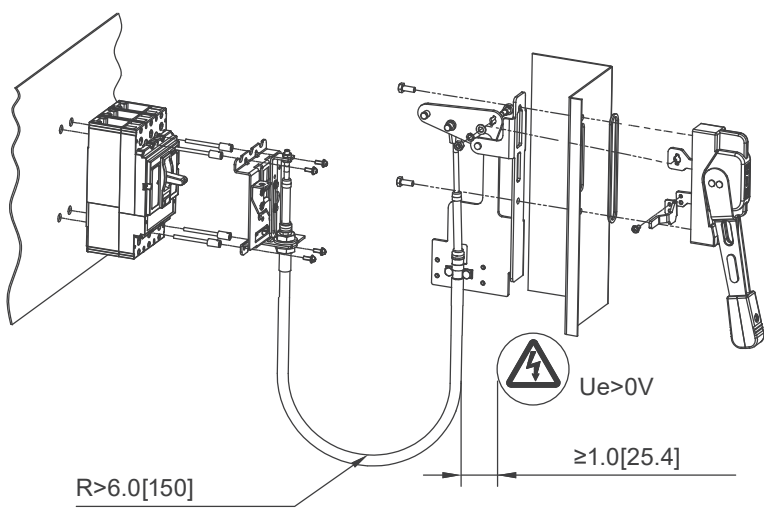
E Installation of FST and OMC

For Single Breaker Operation



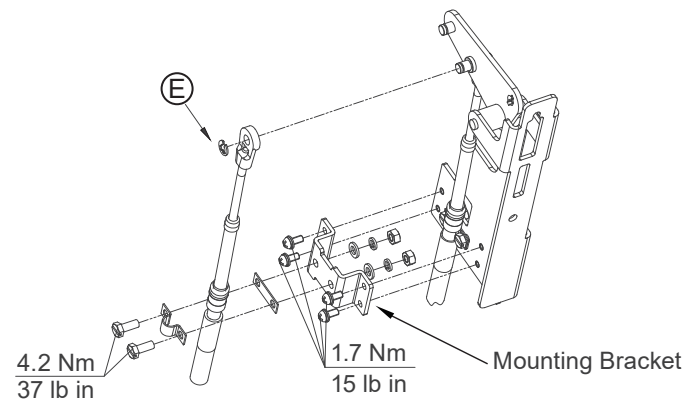
Assembly Overview

in.[mm]

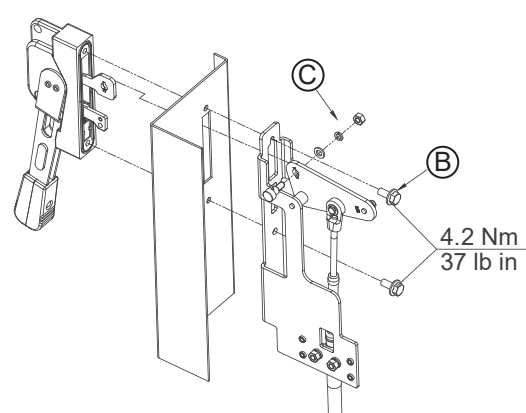


F Installation of FST and OMC for Dual Breaker operating

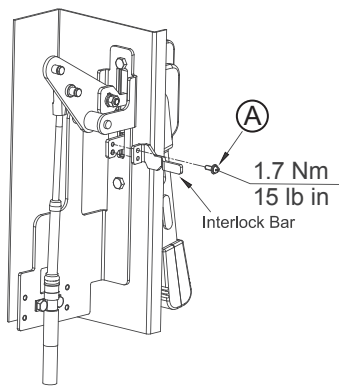
The step describes a flange to operate two breakers



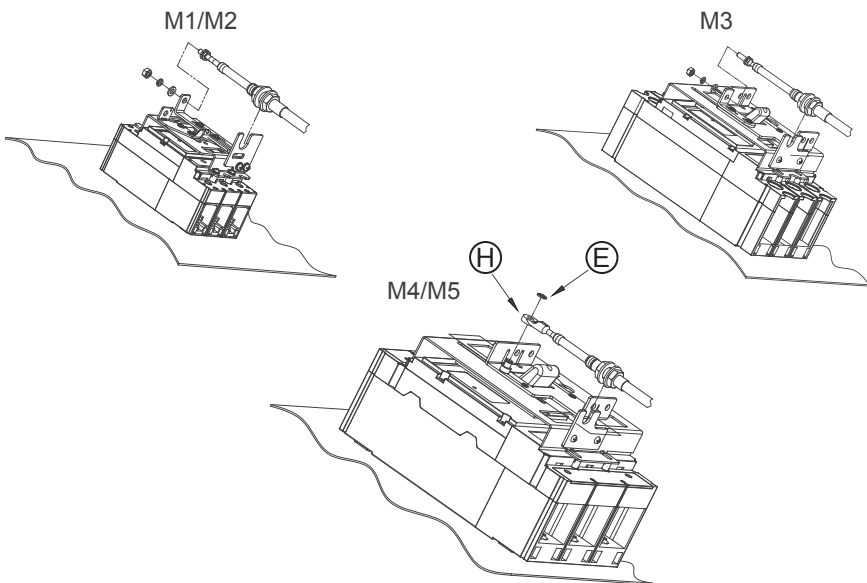
G Installation of Flange Handle and OMC



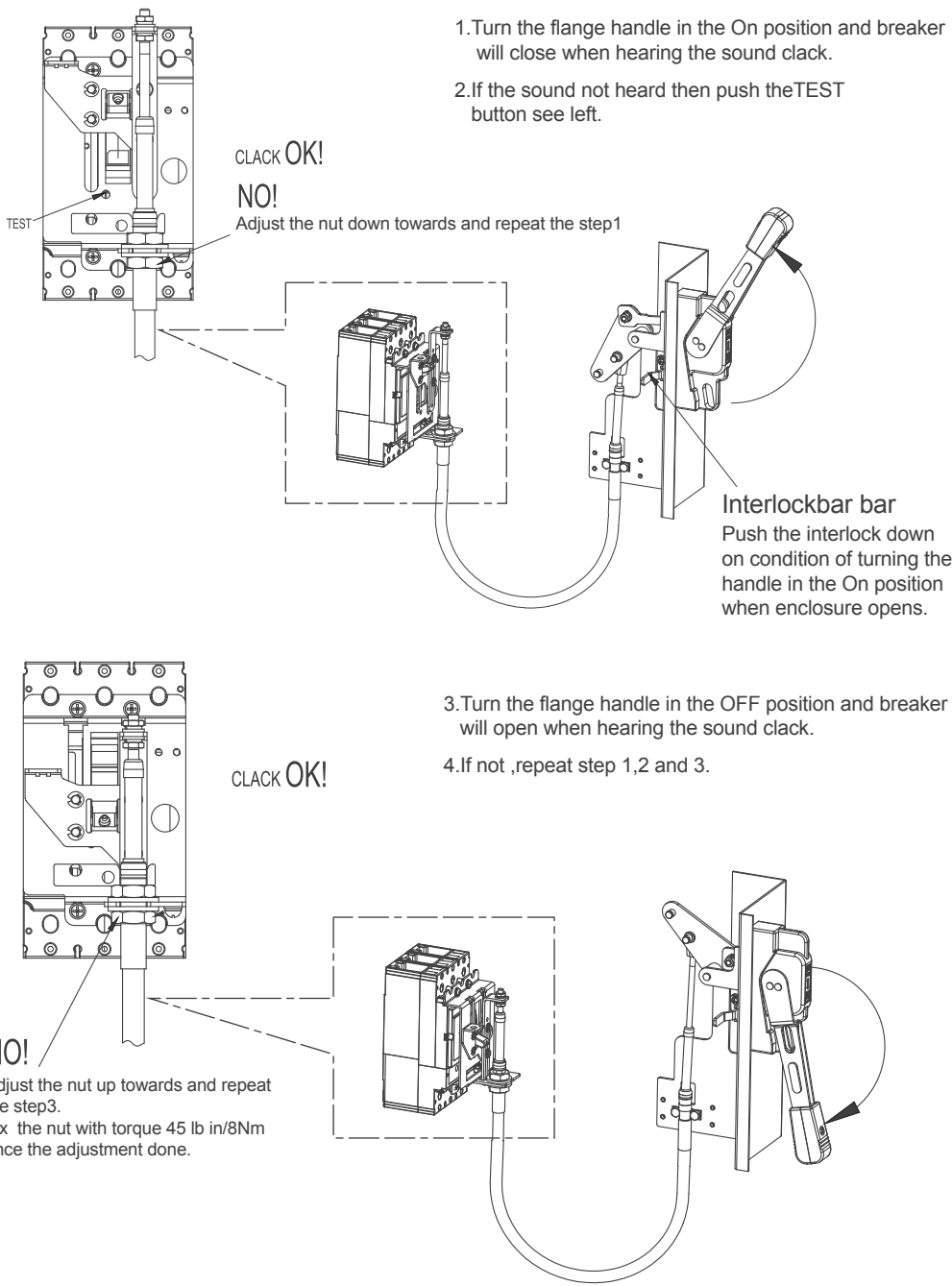
H Interlock Bar Mounting



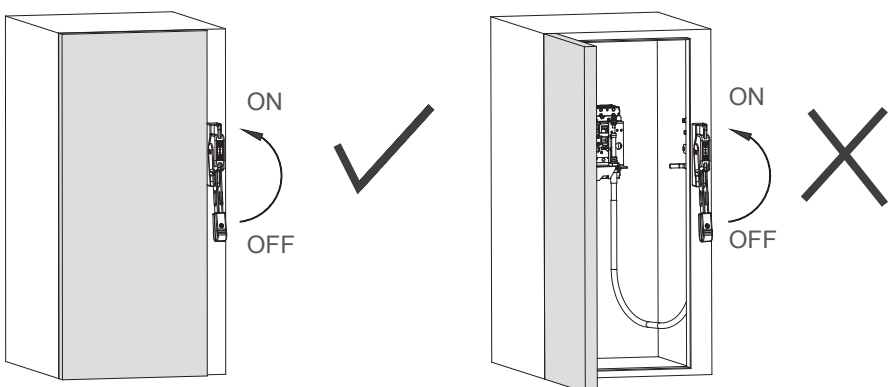
I Installation of FST and OMB



J Assembly Adjustment

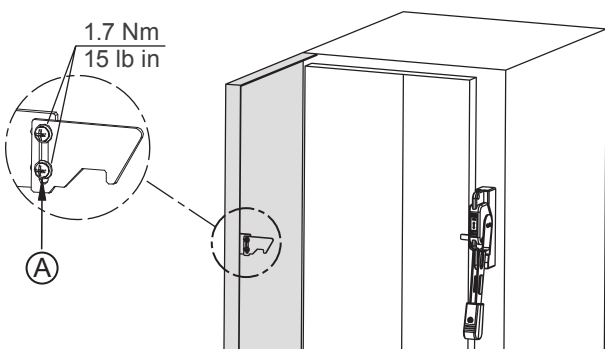


K Door Interlock



When the door is closed, the Flange Handle can be operated normally.

When the door is open, the breaker inside can't be closed by Flange Handle.



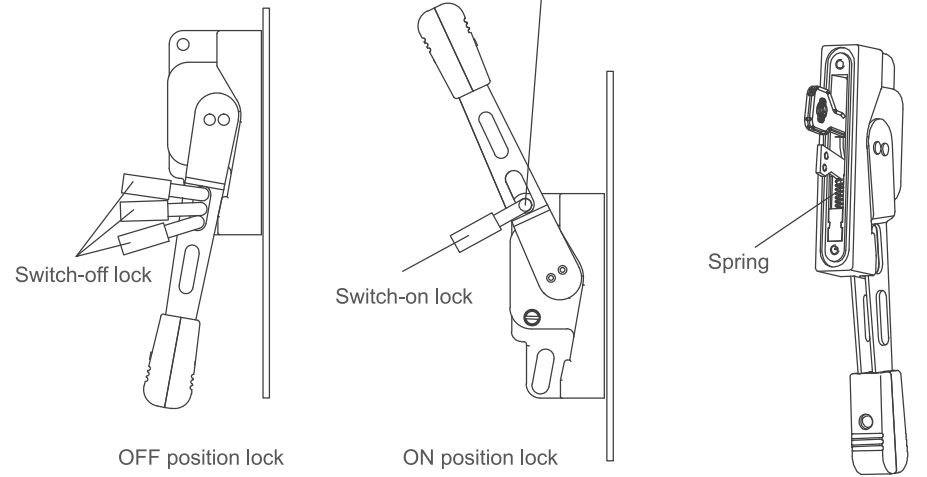
Interlock bar moves downward when the handle is moved to the full OFF position, disengaging the door hook and allowing the door to be freely opened. If the handle is raised, the interlock bar moves upward and engages the door hook. The enclosure door is now interlocked to the handle and cannot be opened.

L Lock

Select a lock if needed

Need to drill a hole if lock is needed to equip

If the flange handle door interlock is not needed, take out the spring in the handle

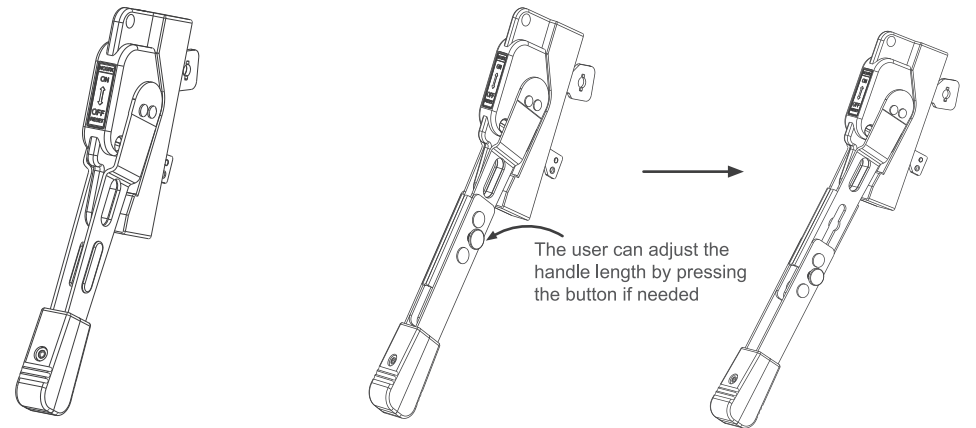


OFF position lock

ON position lock

FH4XC

FH4XD

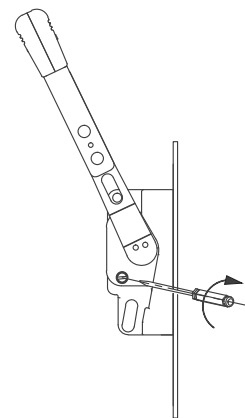


Only FH4XD has the length adjustment feature

M Function Check

After mounting the handle, please check the following procedures to assure the handle function:

- Step1.** The handle switches from OFF position to ON position by closing the door and the breaker will switch to ON position. The door can NOT be opened.
- Step2.** Switch the handle from ON position to OFF position, and the breaker will switch to the OFF position. The door can be opened.
- Step3.** The handle can NOT switched from OFF to ON position with door open.
- Step4.** The handle switches from OFF to ON position by closing the door.
- Step5.** The door can be opened by a screw driver's turning the button clockwise as shown in the right picture.
- Step6.** Then handle switches from ON position to OFF position by closing the door.



In emergency circumstances, the door can be opened by a screw driver's turning the screw clockwise

Notes

The instructions for installation, testing, maintenance, or repair herein are provided for the use of the product in general commercial applications and may not be appropriate for use in nuclear applications. Additional instructions may be available upon specific request to replace, amend, or supplement these instructions to qualify them for use with the product in safety-related applications in a nuclear facility.

This Instruction Booklet is published solely for information purposes and should not be considered all-inclusive. If further information is required, you should consult an authorized NOARK sales representative.

The sale of the product shown in this literature is subject to the terms and conditions outlined in appropriate NOARK selling policies or other contractual agreement between the parties. This literature is not intended to and does not enlarge or add to any such contract. The sole source governing the rights and remedies of and purchaser of this equipment is the contract between the purchaser and NOARK.

NO WARRANTIES, EXPRESSED OR IMPLIED, INCLUDING WARRANTIES OF FITNESS FOR A PARTICULAR PURPOSE OR MERCHANTABILITY, OR WARRANTIES ARISING FROM COURSE OF DEALING OR USAGE OF TRADE, ARE MADE REGARDING THE INFORMATION, RECOMMENDATIONS, AND DESCRIPTIONS CONTAINED HEREIN.

In no event will NOARK be responsible to the purchaser or user in contact in tort (including negligence), strict liability or otherwise for any special indirect incidental or consequential damage or loss whatsoever including but not limited to damage or loss of use of equipment plant or power system cost of capital loss of power additional expenses in the use of existing power facilities or claims against the purchaser or user by its customers resulting from the use of the information recommendations and description contained herein.



Printed with environment-friendly paper

Copyright Noark. All Rights Reserved

<http://na.noark-electric.com>

ZIFHMA202006UL

NOARK