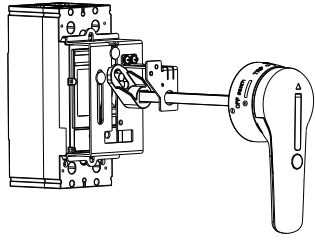


Extended Rotray Handle

Use with M1/M2



The manufacturer assumes no responsibility for unfavourable consequence resulting from the non-application or incorrect application of the instructions provided herein.

El fabricante no asume ninguna responsabilidad por consecuencias desfavorables que resulten de no seguir las instrucciones, precauciones y advertencias proporcionadas en este documento.

Le fabricant ne saurait être tenu pour responsable des conséquences entraînées par toute utilisation allant à l'encontre des instructions incluses dans ce manuel.

NOARK



WARNING

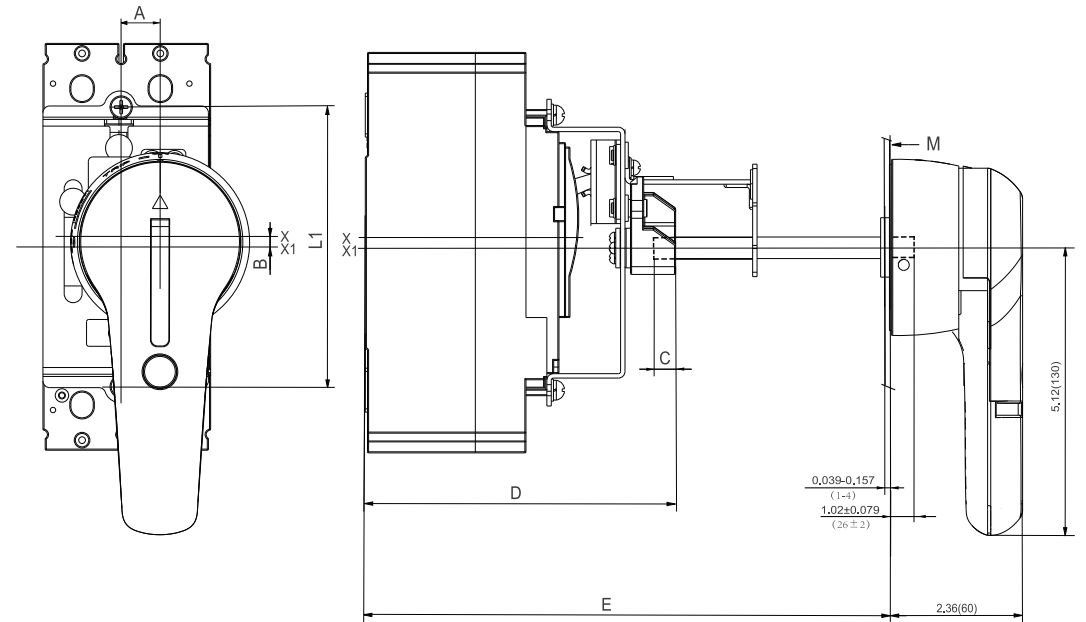
DO NOT ATTEMPT TO INSTALL OR PERFORM MAINTENANCE ON EQUIPMENT WHILE IT IS ENERGIZED. DEATH, SEVERE PERSONAL INJURY, OR SUBSTANTIAL PROPERTY DAMAGE CAN RESULT FROM CONTACT WITH ENERGIZED EQUIPMENT.

ALWAYS VERIFY THAT NO VOLTAGE IS PRESENT BEFORE PROCEEDING WITH THE TASK, AND ALWAYS FOLLOW GENERALLY ACCEPTED SAFETY PROCEDURES.

NOARK IS NOT LIABLE FOR THE MISAPPLICATION OR MISINSTALLATION OF ITS PRODUCTS.

Dimensions

in(mm)



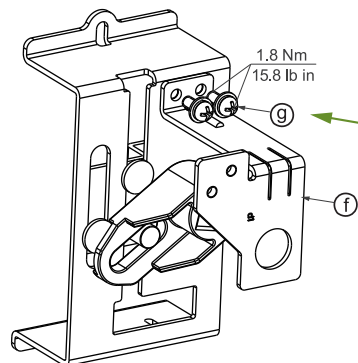
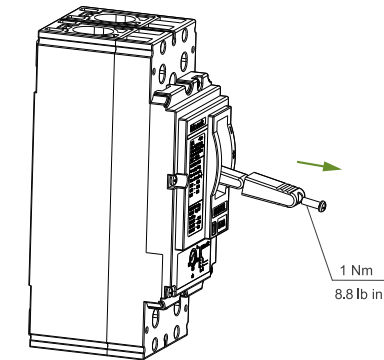
mm/in	A	B	C	D	E (Min) - (Max)	L1
HMD1A	11.1 / 0.44	6.4 / 0.18	14.0 / 0.55	130.5 / 5.14	(290.5 / 11.42) - (590.5 / 23.25)	12 / 4.41
HMD2A	17.4 / 0.69	2.1 / 0.08		141 / 5.55	(301 / 11.85) - (601 / 23.66)	125 / 4.92

Parts List

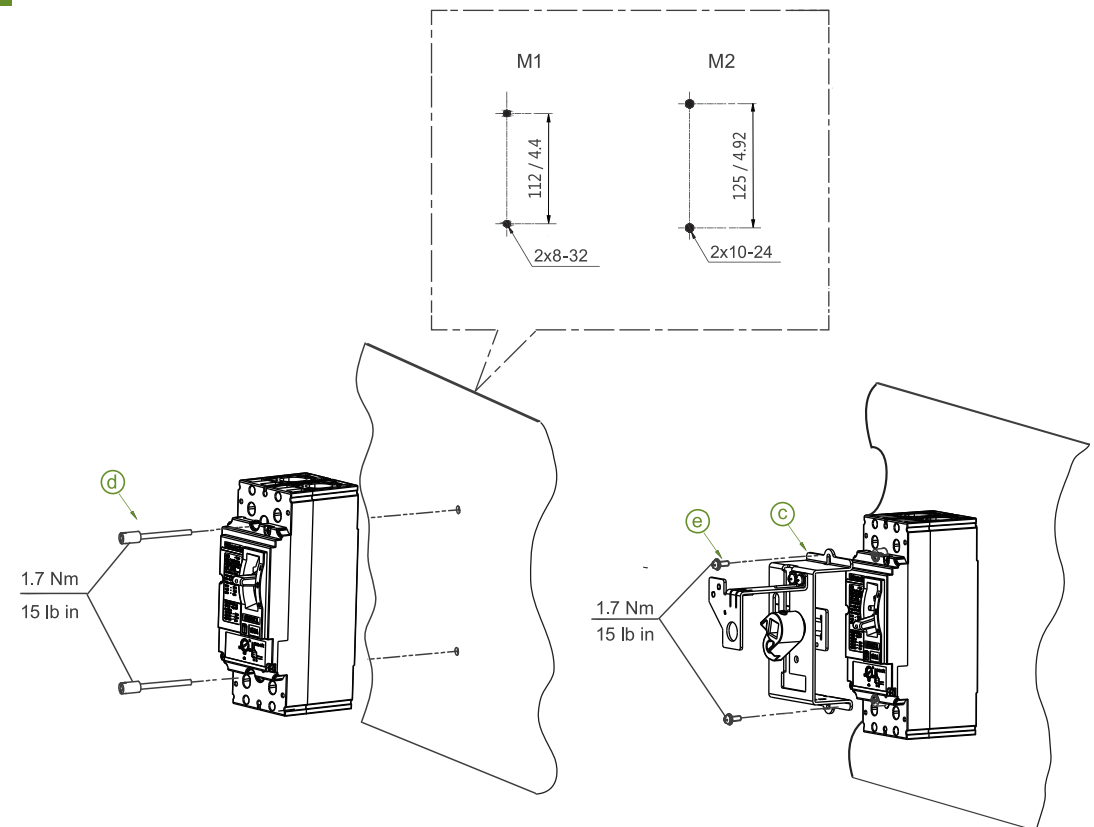
	NEH2B1/ NEH2B2/ NEH2R1/ NEH2R2	ES20A / ES32A / ES50A
a		
b		

	HMD1A	HMD2A
c		
d		
e		
f		
g		

A



B



mm/in

C

Dimension=in(mm) The shaft lock screw looseness may be caused by strong vibration.If there is an obvious vibration,we strongly recommend to apply the Loctite Thread locker Blue 242. Before applying it, please read the instruction carefully.

1 Remove the shaft and take out the lock screw

2 Apply the Threadlocker

3 1.8 Nm
15.8 lb in

D

in(mm)

Shaft length=
7.87/12.6/19.7(200/320/500)

1.8 Nm
15.8 lb in

Padlocking Position

TRIP 90°
RESET OFF

Door Drilling

Ø 0.27(7)
Ø 1.1(28)
1.1(28)
1.57(40)
1.02±0.079
(26±2)

E Interlock defeating

Defeating the interlock in ON position

1

2

F Lock

How to padlock the handle in OFF position

If necessary

max Ø 8
min Ø 5

press

Notes

The instructions for installation,testing,maintenance,or repair herein are provided for the use of the product in general commercial applications and may not be appropriate for use in nuclear applications.Additional instructions may be available upon specific request to replace,amend,or supplement these instructions to qualify them for use with the product in safety-related applications in a nuclear facility.

This Instruction Booklet is published solely for information purposes and should not be considered all-inclusive.If further information is required,you should consult an authorized NOARK sales representative.

The sale of the product shown in this literature is subject to the terms and conditions outlined in appropriate NOARK selling policies or other contractual agreement between the parties.This literature is not intended to and does not enlarge or add to any such contact.The sole source governing the rights and remedies of and purchaser of this equipment is the contract between the purchaser and NOARK.

NO WARRANTIES,EXPRESSED OR IMPLIED,INCLUDING WARRANTIES OF FITNESS FOR A PARTICULAR PURPOSE OR MERCHANTABILITY,OR WARRANTIES ARISING FROM COURSE OF DEALING OR USAGE OF TRADE,ARE MADE REGARDING THE INFORMATION,RECOMMENDATIONS,AND DESCRIPTIONS CONTAINED HEREIN.

In no event will NOARK be responsible to the purchaser or user in contact in tort (including negligence),strict liability or otherwise for any special indirect incidental or consequential damage or loss whatsoever including but not limited to damage or loss of use of equipment plant or power system cost of capital loss of power additional expenses in the use of existing power facilities or claims against the purchaser or user by its customers resulting from the use of the information recommendations and description contained herein.

In order to protect the environment, when the product or its components are scrapped, please dispose of it as industrial waste; or hand it over to the recycling station for disaggregation, recycling and reuse according to relevant national regulations.

Printed with environment-friendly paper
Copyright Noark. All Rights Reserved
<http://na.noark-electric.com>
ZERH4202208UL

NOARK