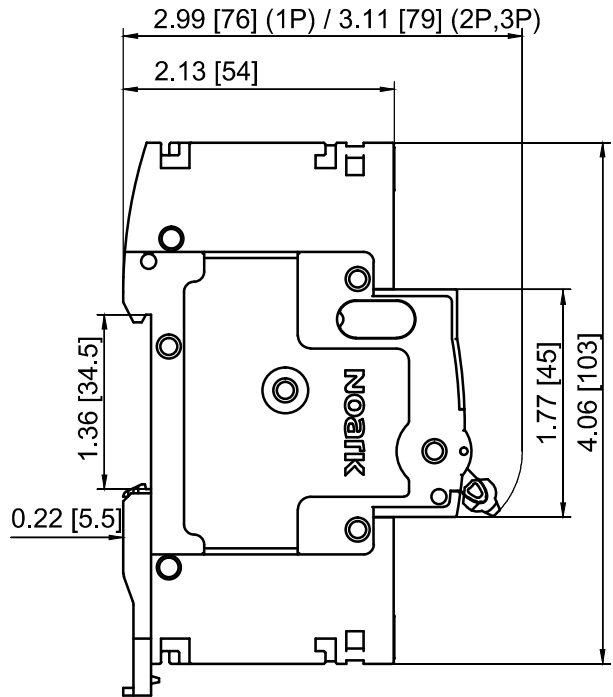
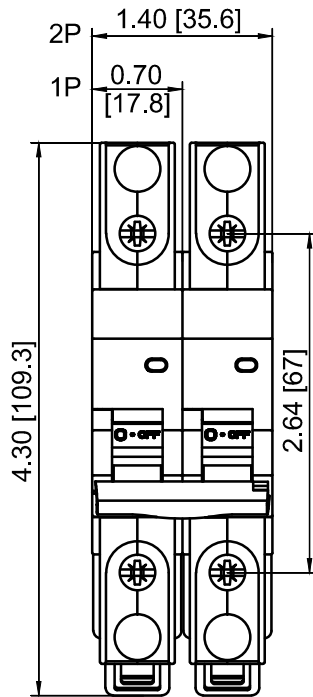


B1D
 1P/2P
 Unit: in [mm]



B1D
 with Ring Tongue Terminal
 1P/2P
 Unit: in [mm]

