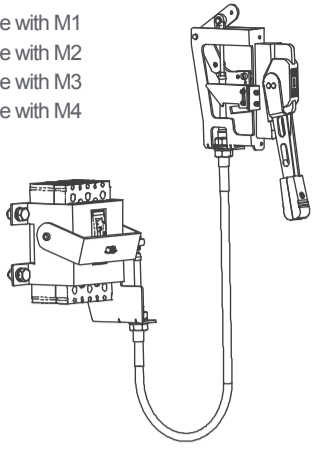


## A Flange Handle Mechanism

FHM1 for use with M1  
 FHM2 for use with M2  
 FHM3 for use with M3  
 FHM4 for use with M4



The manufacturer assumes no responsibility for unfavourable consequence resulting from the non-application or incorrect application of the instructions provided herein.

El fabricante no asume ninguna responsabilidad por consecuencias desfavorables que resulten de no seguir las instrucciones, precauciones y advertencias proporcionadas en este documento.

Le fabricant ne saurait être tenu pour responsable des conséquences entraînées par toute utilisation allant à l'encontre des instructions incluses dans ce manuel.

# NOARK

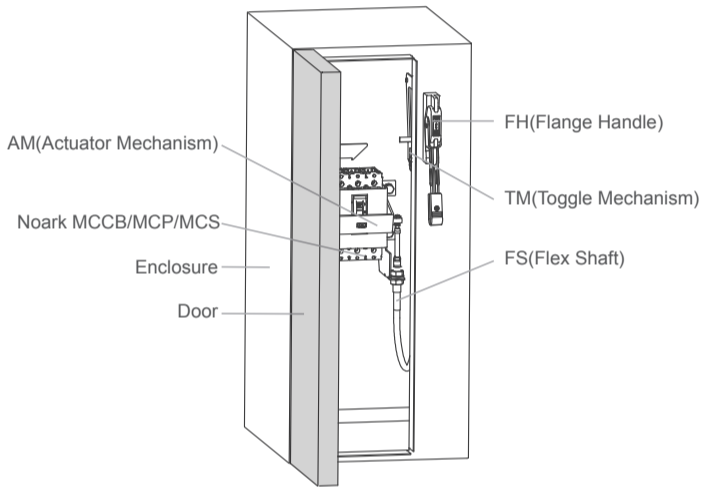
### ! WARNING

DO NOT ATTEMPT TO INSTALL OR PERFORM MAINTENANCE ON EQUIPMENT WHILE IT IS ENERGIZED. DEATH, SEVERE PERSONAL INJURY, OR SUBSTANTIAL PROPERTY DAMAGE CAN RESULT FROM CONTACT WITH ENERGIZED EQUIPMENT.

ALWAYS VERIFY THAT NO VOLTAGE IS PRESENT BEFORE PROCEEDING WITH THE TASK, AND ALWAYS FOLLOW GENERALLY ACCEPTED SAFETY PROCEDURES.

NOARK IS NOT LIABLE FOR THE MISAPPLICATION OR MISINSTALLATION OF ITS PRODUCTS.

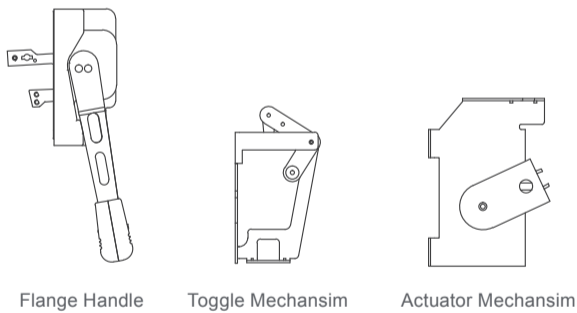
## A Total Assembly



The Flange handle mechanism provides a means of externally operating the circuit breaker and can be applied to enclosures of varying heights and depths. The handle can be used with enclosure applications depending on the accessory components selected. An operating handle flexible shaft and mechanism are required for standard application. Nine lengths of shafts are available for use with the wide range of depths of various enclosures (2' through 10'). When selecting the length of the Flex Shaft ensure Minimum Bending Radius of 4 inches is maintained to operate properly.

## B Parts List

The mechanism may be assembled at factory depending on customers' request.



2 X [Symbol]	2 X [Symbol]	1 X [Symbol]
1 X [Symbol]	1 X [Symbol]	1 X [Symbol]
4 X [Symbol]	4 X [Symbol]	1 X [Symbol]
5 X [Symbol]	4 X [Symbol]	1 X [Symbol]
4 X [Symbol]	8 X [Symbol]	1 X [Symbol]
2 X [Symbol]	4 X [Symbol]	1 X [Symbol]
1 X [Symbol]	1 X [Symbol]	1 X [Symbol]

Interlock Bar  
 Bracket  
 Door Hock (big)  
 Door Hock (small)

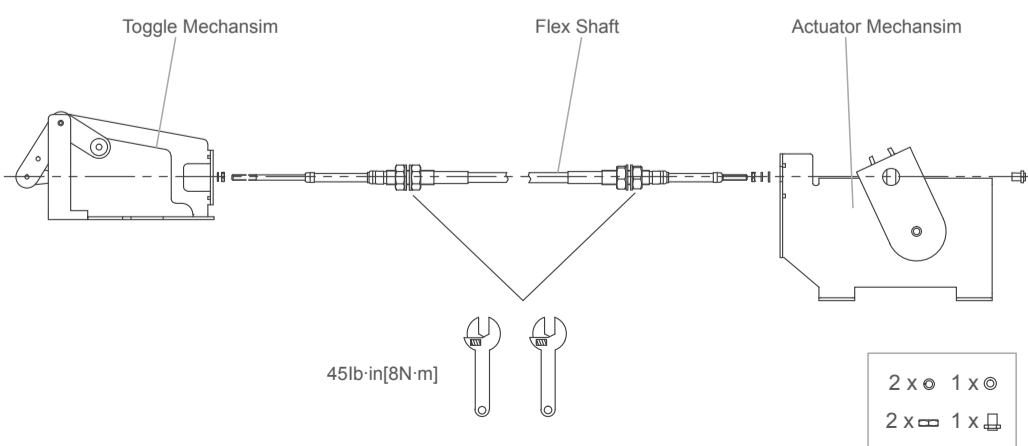
Flex Shaft should not be in contact with live parts



## C Mechanism Assembly

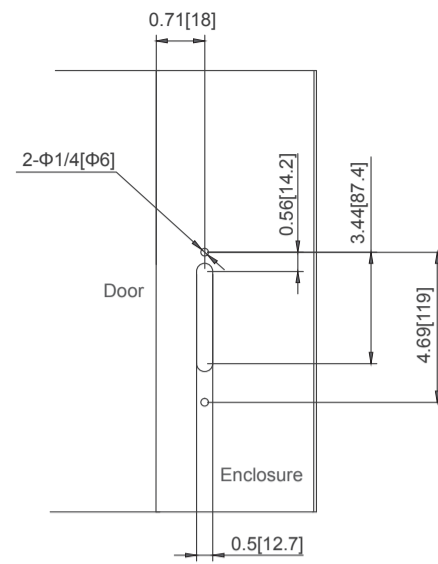
in.[mm]

The mechanism may be assembled at factory depending on customers' request.



## D Drill into Plate for Flange Handle

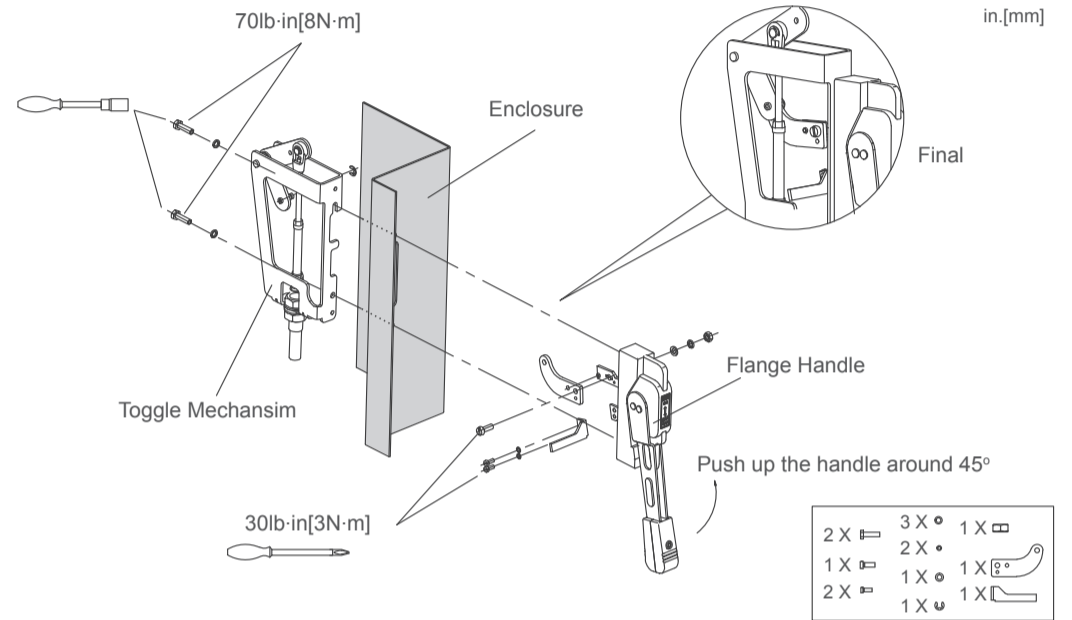
in.[mm]



Pay attention to drill into plate for flange handle correctly, or the door lock function doesn't work properly.

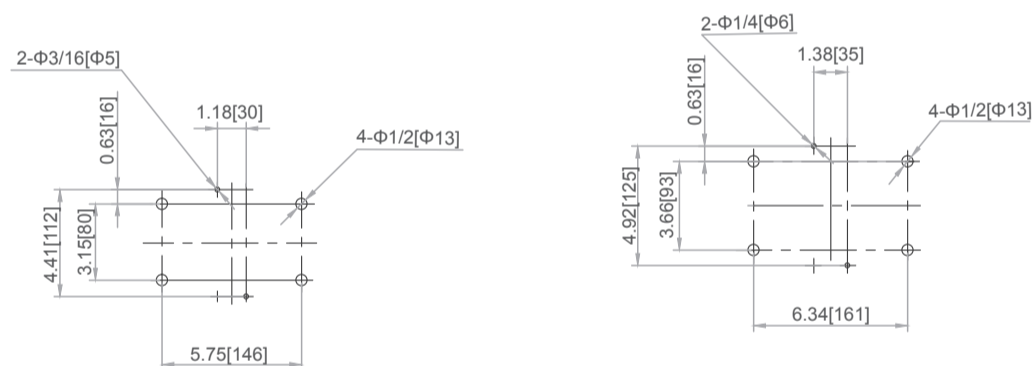
## E Flange Handle Assembly

in.[mm]



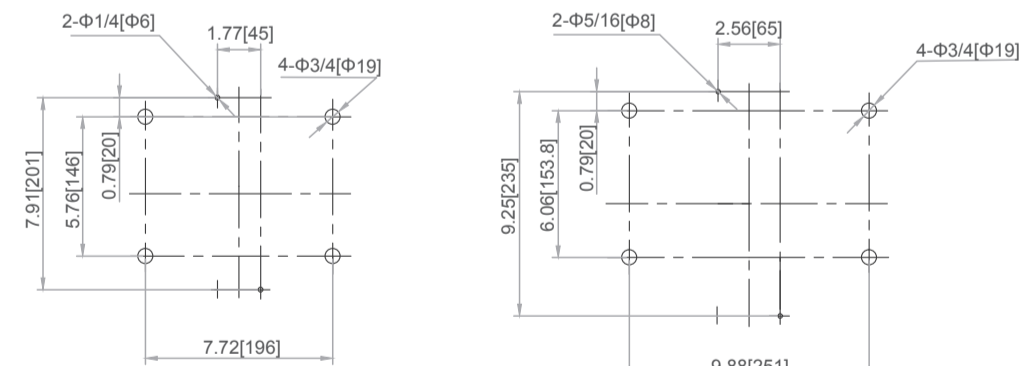
## F Drill into Plate for Actuator Mechanism

in.[mm]



Drilling into plate for M1 Series

Drilling plate for M2 Series

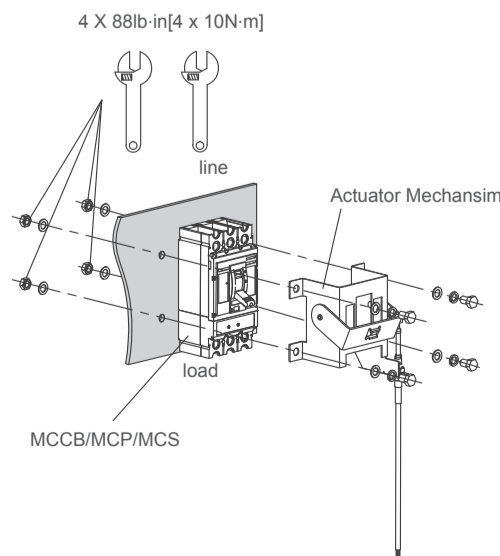


Drilling plate for M3 Series

Drilling plate for M4 Series

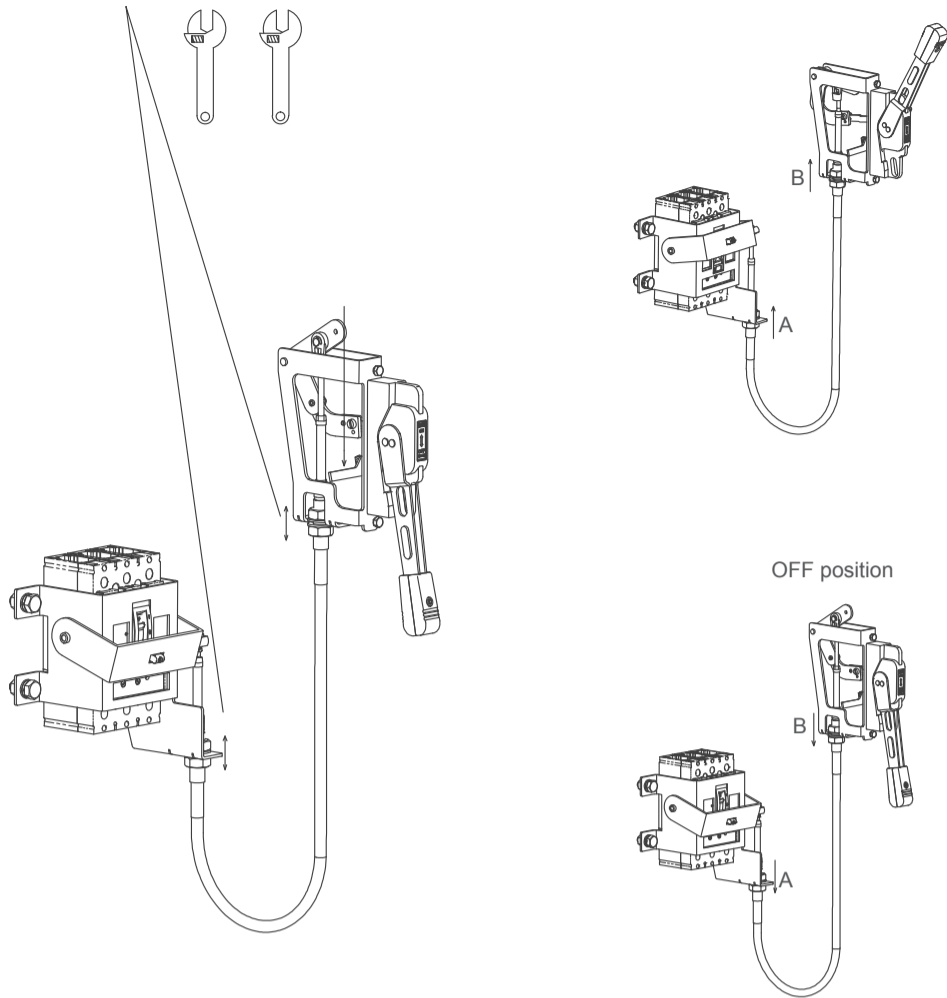
## G MCCB/MCP/MCS

in.[mm]



## H Adjust the Position

Adjust the nuts distance in order to reach the ON and OFF position



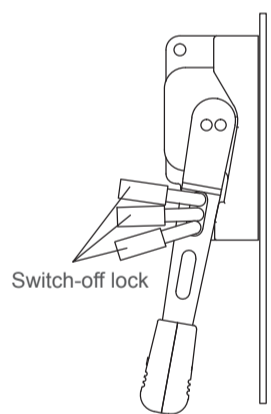
Adjust the nuts distance to reach the ON and OFF position.

Press Interlock bar then you can open and close the MCCB, MCP or MCS without being locked.

Don't adjust the distance if the mechanism is assembled at factory.

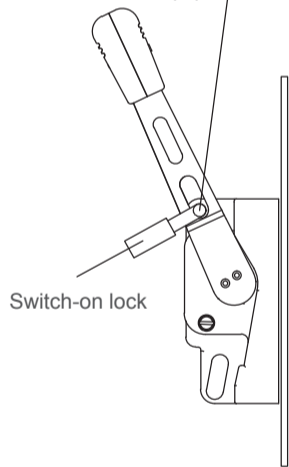
## J Lock

Select a lock if needed



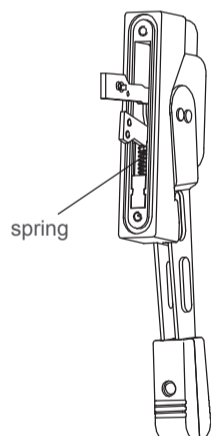
OFF position lock

Need to drill a hole if lock is needed to equip



ON position lock

If the flange handle door interlock is not needed, take out the spring in the handle.



## Notes

The instructions for installation, testing, maintenance, or repair herein are provided for the use of the product in general commercial applications and may not be appropriate for use in nuclear applications. Additional instructions may be available upon specific request to replace, amend, or supplement these instructions to qualify them for use with the product in safety-related applications in a nuclear facility.

This Instruction Booklet is published solely for information purposes and should not be considered all-inclusive. If further information is required, you should consult an authorized NOARK sales representative.

The sale of the product shown in this literature is subject to the terms and conditions outlined in appropriate NOARK selling policies or other contractual agreement between the parties. This literature is not intended to and does not enlarge or add to any such contract. The sole source governing the rights and remedies of and purchaser of this equipment is the contract between the purchaser and NOARK.

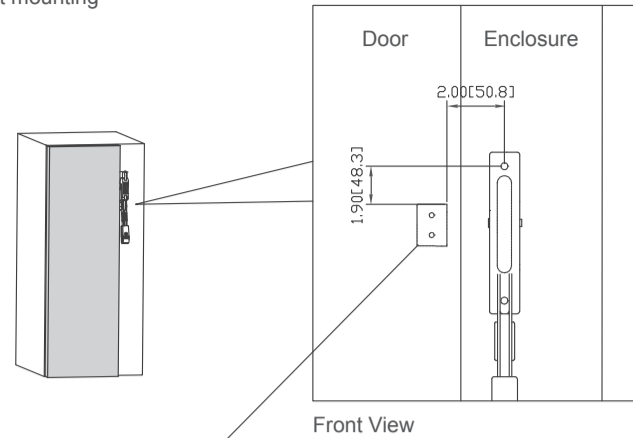
NO WARRANTIES, EXPRESSED OR IMPLIED, INCLUDING WARRANTIES OF FITNESS FOR A PARTICULAR PURPOSE OR MERCHANTABILITY, OR WARRANTIES ARISING FROM COURSE OF DEALING OR USAGE OF TRADE, ARE MADE REGARDING THE INFORMATION, RECOMMENDATIONS, AND DESCRIPTIONS CONTAINED HEREIN.

In no event will NOARK be responsible to the purchaser or user in contact in tort (including negligence), strict liability or otherwise for any special indirect incidental or consequential damage or loss whatsoever including but not limited to damage or loss of use of equipment plant or power system cost of capital loss of power additional expenses in the use of existing power facilities or claims against the purchaser or user by its customers resulting from the use of the information recommendations and description contained herein.

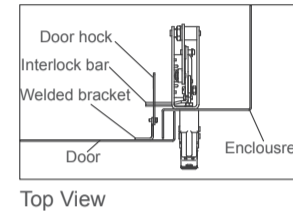
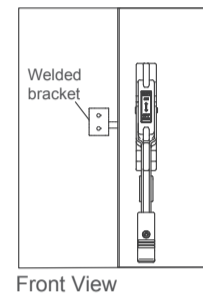
## I Flange Handle Door Interlock

in.[mm]

1. Bracket mounting

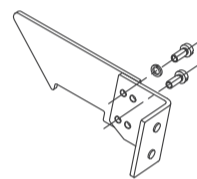


Door hook weld bracket  
(also can be drilled and connected with screws if NEMA rating is not needed)

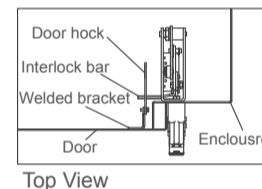
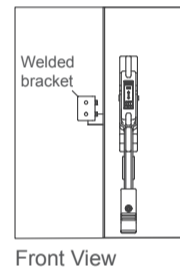
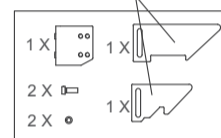


2. Door hook installation

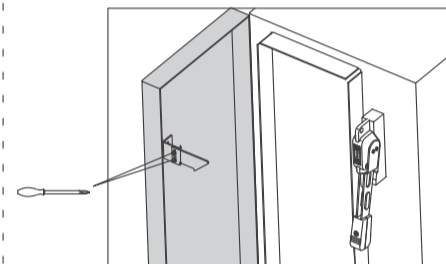
pay attention to the direction of the screw installation



choose a suitable one for your enclosure

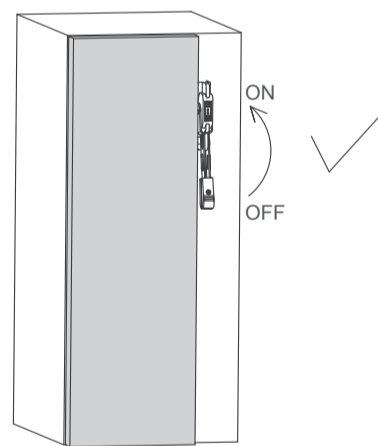


3. Adjust

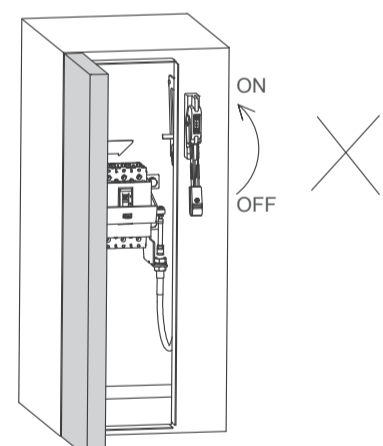


Interlock bar moves downward when the handle is moved to the full OFF position, disengaging the door hook and allowing the door to be freely opened.  
If the handle is raised, the interlock bar moves upward and engages the door hook. The enclosure door is now interlocked to the handle and cannot be opened.

the use of door interlock



When the door is closed, the Flange Handle can be operated normally.



When the door is open, the breaker inside can't be closed by Flange Handle.



Printed with environment-friendly paper

Copyright Noark. All Rights Reserved

www.NoarkUSA.com

ZFHM201612UL

**NOARK**