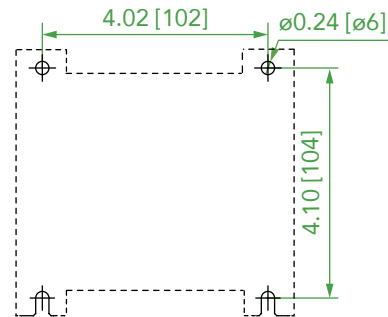
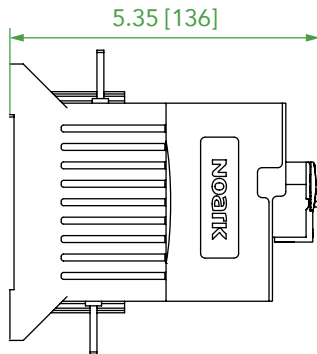
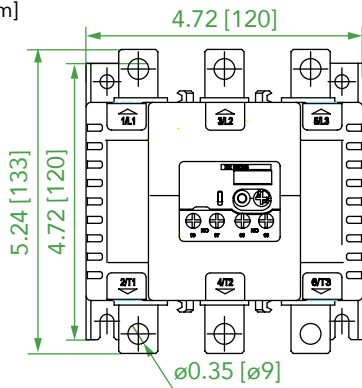


Ex9R185

Unit: in [mm]



Ex9R185+Ex9C115~185

Unit: in [mm]

