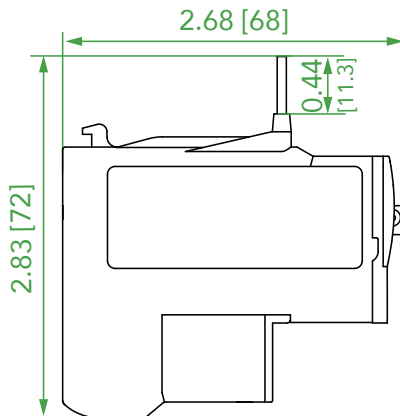
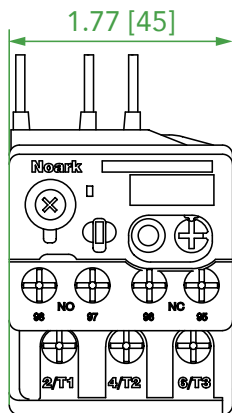


Ex9R12

Unit: in [mm]



Ex9R12+Ex9CS06~12

Unit: in [mm]

