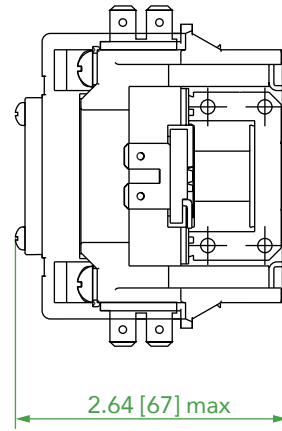
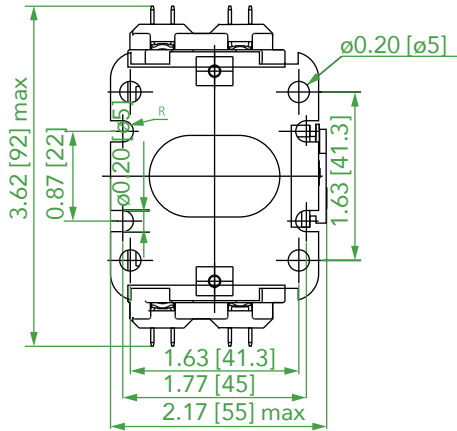


Ex9CK20~40

1 Pole+Shunt

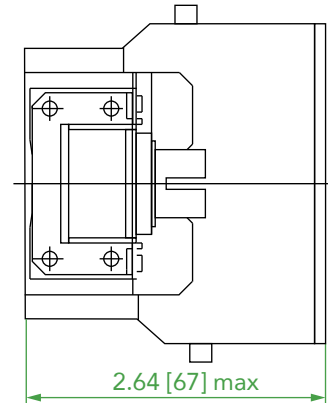
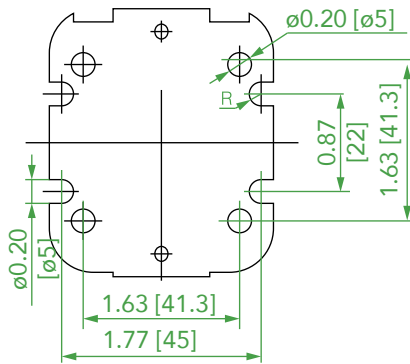
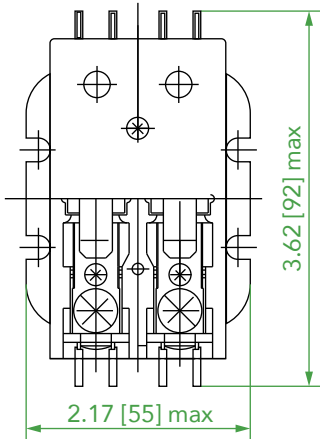
Unit: in [mm]



Ex9CK20~40

2 Poles

Unit: in [mm]



Ex9CK20~40

3 Poles

Unit: in [mm]

