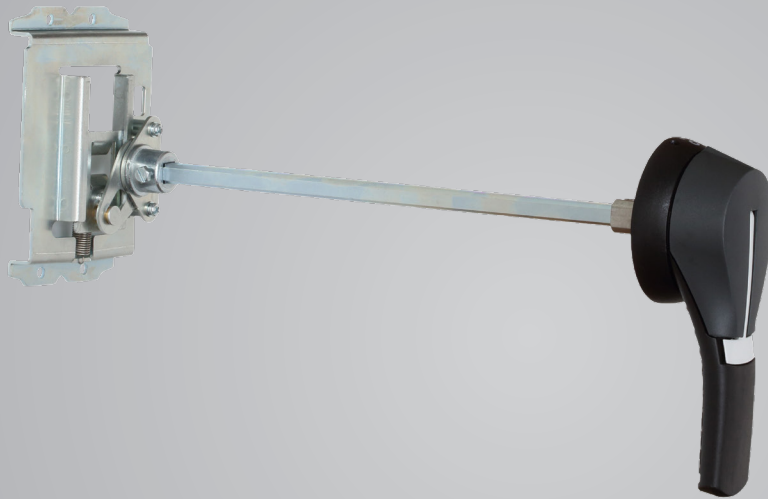


# NOARK®

Data Sheet

## **NEMA Extended Rotary Handle**

MCCBs



## NEMA Extended Rotary Handle For MCCBs

### Features

---

NEMA type extended rotary handle mechanisms mount on the front of an enclosure door and operate externally. They are used with the NOARK UL MCCB series. The mechanism includes three components: external handle, shaft and handle operating mechanism.

- High performance
- Reliable safety
- Easy installation
- Compact size

#### Available as:

- NEMA 1/3R/12
- NEMA 4/4X
- Black/Grey handle color
- 7.9/12.6/19.7 inches shaft
- Simple and robust handle operating mechanism
- Separate components choice

### Certifications

---



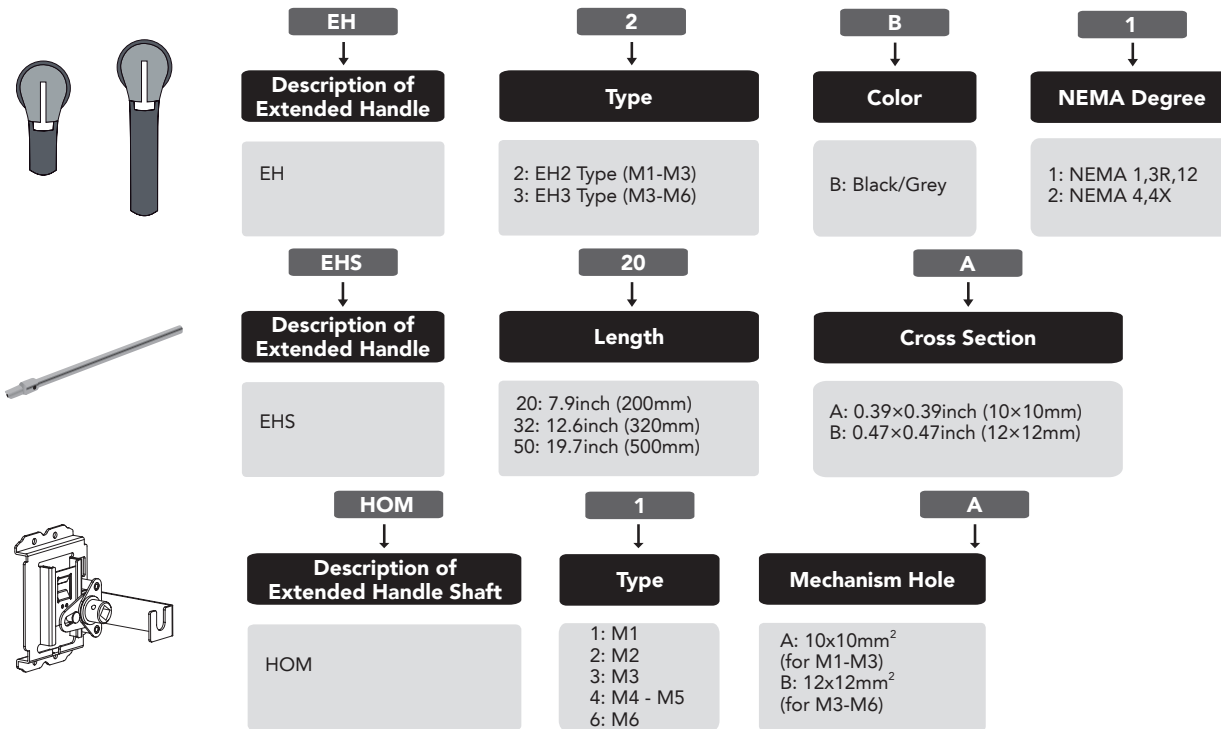
- UL Recognized, File No. E355392
- CSA Certified



# NEMA Extended Rotary Handle For MCCBs

## Product Selection Guide

NEMA handle mechanism selection is separated into 3 parts: external handle, shaft and handle operating mechanism.  
NOARK UL MCCB frame size: M1(15-100A), M2(100-250A), M3(225-400A), M4(400-600A), M5(600-800A), and M6(800-1200A).

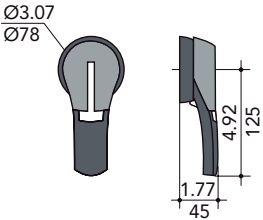
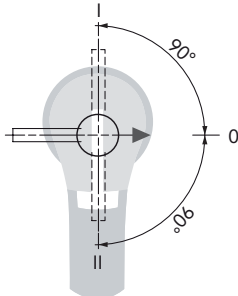
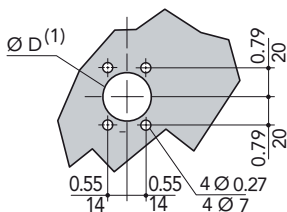
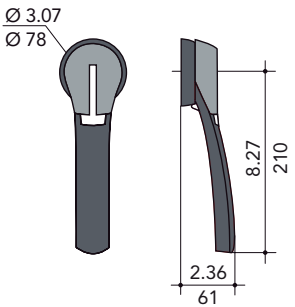
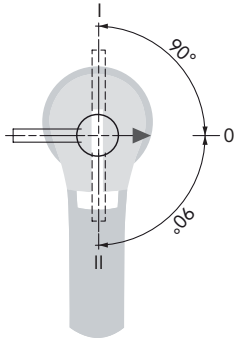
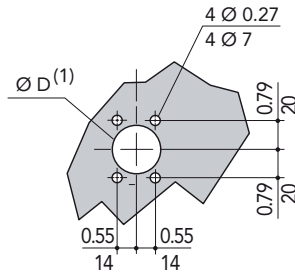


## Packaging

| NOARK SKU | Part #  |  | Weight/Pcs | Pcs/Box | Box Dim (mm) | Full Box Weight (kgs) | Carton      | Pieces/Carton | Full Carton |
|-----------|---------|--|------------|---------|--------------|-----------------------|-------------|---------------|-------------|
| EH2B1     | 1100859 | External Handle, S2 Type, Black/Grey, NEMA 1,3R,12 | 0.26       | 1       | -            | -                     | 400x300x150 | 20            | -           |
| EH2B2     | 1100860 | External Handle, S2 Type, Black/Grey, NEMA 4, 4X   | 0.26       | 1       | -            | -                     | 400x300x150 | 20            | -           |
| EH2R1     | 1100861 | External Handle, S2 Type, Red/Yellow, NEMA 1,3R,12 | 0.26       | 1       | -            | -                     | 400x300x150 | 20            | -           |
| EH2R2     | 1100862 | External Handle, S2 Type, Red/Yellow, NEMA 4, 4X   | 0.26       | 1       | -            | -                     | 400x300x150 | 20            | -           |
| EH3B1     | 1100863 | External Handle, S3 Type, Black/Grey, NEMA 1,3R,12 | 0.3        | 1       | -            | -                     | 400x300x150 | 15            | -           |
| EH3B2     | 1100864 | External Handle, S3 Type, Black/Grey, NEMA 4, 4X   | 0.3        | 1       | -            | -                     | 400x300x150 | 15            | -           |
| EH3R1     | 1100865 | External Handle, S3 Type, Red/Yellow, NEMA 1,3R,12 | 0.3        | 1       | -            | -                     | 400x300x150 | 15            | -           |
| EH3R2     | 1100866 | External Handle, S3 Type, Red/Yellow, NEMA 4, 4X   | 0.3        | 1       | -            | -                     | 400x300x150 | 15            | -           |
| EHS20A    | 1100867 | Shaft, Cross Sectional Area 10x10mm, Length 200mm  | 0.16       | 1       | -            | -                     | 300x200x110 | 25            | -           |
| EHS32A    | 1100868 | Shaft, Cross Sectional Area 10x10mm, Length 320mm  | 0.25       | 1       | -            | -                     | 400x300x150 | 50            | -           |
| EHS50A    | 1100869 | Shaft, Cross Sectional Area 10x10mm, Length 500mm  | -          | 1       | -            | -                     | -           | 25            | -           |
| EHS20B    | 1100870 | Shaft, Cross Sectional Area 12x12mm, Length 200mm  | 0.224      | 1       | -            | -                     | 300x200x110 | 25            | -           |
| EHS32B    | 1100871 | Shaft, Cross Sectional Area 12x12mm, Length 500mm  | 0.36       | 1       | -            | -                     | 400x300x150 | 50            | -           |
| EHS50B    | 1100872 | Shaft, Cross Sectional Area 12x12mm, Length 500mm  | -          | 1       | -            | -                     | -           | 30            | -           |
| HOM1A     | 1101144 | Handle Operating Mechanism, for M1, Hole 10x10mm   | 0.5        | 1       | 140x95x58mm  | 0.52                  | 405x305x210 | 24            | 13          |
| HOM2A     | 1101145 | Handle Operating Mechanism, for M2, Hole 10x10mm   | 0.52       | 1       | 170x110x60mm | 0.55                  | 465x365x215 | 24            | 13.6        |
| HOM3A     | 1101146 | Handle Operating Mechanism, for M3, Hole 10x10mm   | 1.51       | 1       | 245x145x88mm | 1.6                   | 515x315x210 | 8             | 13.3        |
| HOM3B     | 1101147 | Handle Operating Mechanism, for M3, Hole 12x12mm   | 2          | 1       | 270x200x88mm | 2.2                   | 565x425x210 | 8             | 18.1        |
| HOM4B     | 1101148 | Handle Operating Mechanism, for M4, Hole 12x12mm   | 2          | 1       | 270x200x88mm | 2.2                   | 565x425x210 | 8             | 18.1        |

## NEMA Extended Rotary Handle For MCCBs

### Dimensions (in/mm)

| Handle type   | Front operation<br>Direction of operation   | Door drilling   |
|---|---|---|
| <p><b>ERH2 Type</b></p>    |    |    |
| <p><b>ERH3 Type</b></p>  |  |  |

(1) Rear screw mounting: Ø1.42 to Ø1.46(Ø31 to Ø37). Front clip mounting: Ø1.46(Ø37).

## NEMA Extended Rotary Handle For MCCBs

### Part Numbers

| Order Number | NOARK SKU | Description   | Suitable for | SOCOMEK  |
|--------------|-----------|---|--------------|----------|
| 1100859      | EH2B1     | External Handle, S2 Type, Black/Grey, NEMA 1,3R, 12               | M1/M2/M3     | 142F2111 |
| 1100860      | EH2B2     | External Handle, S2 Type, Black/Grey, NEMA 4,4X                   | M1/M2/M3     | 142D2111 |
| 1100861      | EH2R1     | External Handle, S2 Type, Red/Yellow, NEMA 1,3R, 12               | M1/M2/M3     | 142G2111 |
| 1100862      | EH2R2     | External Handle, S2 Type, Red/Yellow, NEMA 4,4X                   | M1/M2/M3     | 142E2111 |
| 1100863      | EH3B1     | External Handle, S3 Type, Black/Grey, NEMA 1,3R, 12               | M3/M4/M5/M6  | 143F2111 |
| 1100864      | EH3B2     | External Handle, S3 Type, Black/Grey, NEMA 4,4X                   | M3/M4/M5/M6  | 143D2111 |
| 1100865      | EH3R1     | External Handle, S3 Type, Red/Yellow, NEMA 1,3R, 12               | M3/M4/M5/M6  | 143E2111 |
| 1100866      | EH3R2     | External Handle, S3 Type, Red/Yellow, NEMA 4,4X                   | M3/M4/M5/M6  | 143G2111 |
| 1100867      | EHS20A    | External Handle Shaft, Cross Sectional Area 10×10mm, Length 200mm | M1/M2/M3     | 14001020 |
| 1100868      | EHS32A    | External Handle Shaft, Cross Sectional Area 10×10mm, Length 320mm | M1/M2/M3     | 14001032 |
| 1100869      | EHS50A    | External Handle Shaft, Cross Sectional Area 10×10mm, Length 500mm | M1/M2/M3     | 14001050 |
| 1100870      | EHS20B    | External Handle Shaft, Cross Sectional Area 12×12mm, Length 200mm | M3/M4/M5/M6  | 14001220 |
| 1100871      | EHS32B    | External Handle Shaft, Cross Sectional Area 12×12mm, Length 320mm | M3/M4/M5/M6  | 14001232 |
| 1100872      | EHS50B    | External Handle Shaft, Cross Sectional Area 12×12mm, Length 500mm | M3/M4/M5/M6  | 14001250 |
| 1101144      | HOM1A     | Handle Operating Mechanism, for M1, Hole 10×10mm                  | M1           | #N/A     |
| 1101145      | HOM2A     | Handle Operating Mechanism, for M2, Hole 10×10mm                  | M2           | #N/A     |
| 1101146      | HOM3A     | Handle Operating Mechanism, for M3, Hole 10×10mm                  | M3           | #N/A     |
| 1101147      | HOM3B     | Handle Operating Mechanism, for M3, Hole 12×12mm                  | M3           | #N/A     |
| 1101148      | HOM4B     | Handle Operating Mechanism, for M4, Hole 12×12mm                  | M4-M5        | #N/A     |
| 1101153      | HOM6B     | Handle Operating Mechanism, for M6, Hole 12×12mm                  | M6           | #N/A     |

## NEMA Extended Rotary Handle For MCCBs

### Kits

| Accessory Description                        | MCCB Type   | Order Code  | ERH part Number | ERH Description |         |             |         | Part Number | Product |             |         |
|--|-------------|-------------|-----------------|-----------------|---------|-------------|---------|-------------|---------|-------------|---------|
|  |             |             |                 | EH              |         | EHS         |         |             |         | HOM         |         |
|  |             |             |                 | Part Number     | Product | Part Number | Product |             |         | Part Number | Product |
| Extended Rotary Handle<br>(Through the Door) | M1          | 1101060     | ERH11101060     | 1100859         | EH2B1   | 1100867     | EHS20A  | 1101144     | HOM1A   |             |         |
|  |             | 1101061     | ERH11101061     |                 |         | 1100868     | EHS32A  |             |         |             |         |
|  |             | 1101062     | ERH11101062     |                 |         | 1100869     | EHS50A  |             |         |             |         |
|  |             | 1101063     | ERH11101063     | 1100860         | EH2B2   | 1100867     | EHS20A  |             |         |             |         |
|  |             | 1101064     | ERH11101064     |                 |         | 1100868     | EHS32A  |             |         |             |         |
|  |             | 1101065     | ERH11101065     |                 |         | 1100869     | EHS50A  |             |         |             |         |
|  |             | 1101066     | ERH11101066     | 1100861         | EH2R1   | 1100867     | EHS20A  |             |         |             |         |
|  |             | 1101067     | ERH11101067     |                 |         | 1100868     | EHS32A  |             |         |             |         |
|  |             | 1101068     | ERH11101068     |                 |         | 1100869     | EHS50A  |             |         |             |         |
|  |             | 1101069     | ERH11101069     | 1100862         | EH2R2   | 1100867     | EHS20A  |             |         |             |         |
|  |             | 1101070     | ERH11101070     |                 |         | 1100868     | EHS32A  |             |         |             |         |
|  | 1101071     | ERH11101071 | 1100869         |                 |         | EHS50A      |         |             |         |             |         |
|  | M2          | 1101072     | ERH21101072     | 1100859         | EH2B1   | 1100867     | EHS20A  | 1101145     | HOM2A   |             |         |
|  |             | 1101073     | ERH21101073     |                 |         | 1100868     | EHS32A  |             |         |             |         |
|  |             | 1101074     | ERH21101074     |                 |         | 1100869     | EHS50A  |             |         |             |         |
|  |             | 1101075     | ERH21101075     | 1100860         | EH2B2   | 1100867     | EHS20A  |             |         |             |         |
|  |             | 1101076     | ERH21101076     |                 |         | 1100868     | EHS32A  |             |         |             |         |
|  |             | 1101077     | ERH21101077     |                 |         | 1100869     | EHS50A  |             |         |             |         |
|  |             | 1101078     | ERH21101078     | 1100861         | EH2R1   | 1100867     | EHS20A  |             |         |             |         |
|  |             | 1101079     | ERH21101079     |                 |         | 1100868     | EHS32A  |             |         |             |         |
|  |             | 1101080     | ERH21101080     |                 |         | 1100869     | EHS50A  |             |         |             |         |
|  |             | 1101081     | ERH21101081     | 1100862         | EH2R2   | 1100867     | EHS20A  |             |         |             |         |
|  |             | 1101082     | ERH21101082     |                 |         | 1100868     | EHS32A  |             |         |             |         |
|  | 1101083     | ERH21101083 | 1100869         |                 |         | EHS50A      |         |             |         |             |         |
|  | M3          | 1101084     | ERH31101084     | 1100859         | EH2B1   | 1100867     | EHS20A  | 1101146     | HOM3A   |             |         |
|  |             | 1101085     | ERH31101085     |                 |         | 1100868     | EHS32A  |             |         |             |         |
|  |             | 1101086     | ERH31101086     |                 |         | 1100869     | EHS50A  |             |         |             |         |
|  |             | 1101087     | ERH31101087     |                 |         | 1100870     | EHS20B  | 1101147     | HOM3B   |             |         |
|  |             | 1101088     | ERH31101088     |                 |         | 1100871     | EHS32B  |             |         |             |         |
|  |             | 1101089     | ERH31101089     |                 |         | 1100872     | EHS50B  |             |         |             |         |
|  |             | 1101090     | ERH31101090     | 1100860         | EH2B2   | 1100867     | EHS20A  | 1101146     | HOM3A   |             |         |
|  |             | 1101091     | ERH31101091     |                 |         | 1100868     | EHS32A  |             |         |             |         |
|  |             | 1101092     | ERH31101092     |                 |         | 1100869     | EHS50A  |             |         |             |         |
| 1101093                                      |             | ERH31101093 | 1100870         |                 |         | EHS20B      | 1101147 | HOM3B       |         |             |         |
| 1101094                                      |             | ERH31101094 | 1100871         |                 |         | EHS32B      |         |             |         |             |         |
| 1101095                                      | ERH31101095 | 1100872     | EHS50B          |                 |         |             |         |             |         |             |         |
| 1101096                                      | ERH31101096 | 1100861     | EH2R1           | 1100867         | EHS20A  | 1101146     | HOM3A   |             |         |             |         |
| 1101097                                      | ERH31101097 |             |                 | 1100868         | EHS32A  |             |         |             |         |             |         |
| 1101098                                      | ERH31101098 |             |                 | 1100869         | EHS50A  |             |         |             |         |             |         |
| 1101099                                      | ERH31101099 |             |                 | 1100870         | EHS20B  | 1101147     | HOM3B   |             |         |             |         |
| 1101100                                      | ERH31101100 |             |                 | 1100871         | EHS32B  |             |         |             |         |             |         |
| 1101101                                      | ERH31101101 | 1100872     | EHS50B          |                 |         |             |         |             |         |             |         |

# NEMA Extended Rotary Handle For MCCBs

## Kits (cont.)

| Accessory Description                        | MCCB Type   | Order Code  | ERH part Number | ERH Description |         |             |         |             |         |
|--|-------------|-------------|-----------------|-----------------|---------|-------------|---------|-------------|---------|
|  |             |             |                 | EH              |         | EHS         |         | HOM         |         |
|  |             |             |                 | Part Number     | Product | Part Number | Product | Part Number | Product |
| Extended Rotary Handle<br>(Through the Door) | M3          | 1101102     | ERH31101102     | 1100862         | EH2R2   | 1100867     | EHS20A  | 1101146     | HOM3A   |
|  |             | 1101103     | ERH31101103     |                 |         | 1100868     | EHS32A  |             |         |
|  |             | 1101104     | ERH31101104     |                 |         | 1100869     | EHS50A  |             |         |
|  |             | 1101105     | ERH31101105     |                 |         | 1100870     | EHS20B  |             |         |
|  |             | 1101106     | ERH31101106     |                 |         | 1100871     | EHS32B  |             |         |
|  |             | 1101107     | ERH31101107     |                 |         | 1100872     | EHS50B  |             |         |
|  |             | 1101108     | ERH31101108     | 1100863         | EH3B1   | 1100867     | EHS20A  | 1101146     | HOM3A   |
|  |             | 1101109     | ERH31101109     |                 |         | 1100868     | EHS32A  |             |         |
|  |             | 1101110     | ERH31101110     |                 |         | 1100869     | EHS50A  |             |         |
|  |             | 1101111     | ERH31101111     |                 |         | 1100870     | EHS20B  |             |         |
|  |             | 1101112     | ERH31101112     |                 |         | 1100871     | EHS32B  |             |         |
|  |             | 1101113     | ERH31101113     |                 |         | 1100872     | EHS50B  |             |         |
|  |             | 1101114     | ERH31101114     | 1100864         | EH3B2   | 1100867     | EHS20A  | 1101146     | HOM3A   |
|  |             | 1101115     | ERH31101115     |                 |         | 1100868     | EHS32A  |             |         |
|  |             | 1101116     | ERH31101116     |                 |         | 1100869     | EHS50A  |             |         |
|  |             | 1101117     | ERH31101117     |                 |         | 1100870     | EHS20B  |             |         |
|  |             | 1101118     | ERH31101118     |                 |         | 1100871     | EHS32B  |             |         |
|  |             | 1101119     | ERH31101119     |                 |         | 1100872     | EHS50B  |             |         |
|  |             | 1101120     | ERH31101120     | 1100865         | EH3R1   | 1100867     | EHS20A  | 1101146     | HOM3A   |
|  |             | 1101121     | ERH31101121     |                 |         | 1100868     | EHS32A  |             |         |
|  |             | 1101122     | ERH31101122     |                 |         | 1100869     | EHS50A  |             |         |
|  |             | 1101123     | ERH31101123     |                 |         | 1100870     | EHS20B  |             |         |
|  |             | 1101124     | ERH31101124     |                 |         | 1100871     | EHS32B  |             |         |
|  |             | 1101125     | ERH31101125     |                 |         | 1100872     | EHS50B  |             |         |
|  | 1101126     | ERH31101126 | 1100866         | EH3R2           | 1100867 | EHS20A      | 1101146 | HOM3A       |         |
|  | 1101127     | ERH31101127 |                 |                 | 1100868 | EHS32A      |         |             |         |
|  | 1101128     | ERH31101128 |                 |                 | 1100869 | EHS50A      |         |             |         |
|  | 1101129     | ERH31101129 |                 |                 | 1100870 | EHS20B      |         |             |         |
|  | 1101130     | ERH31101130 |                 |                 | 1100871 | EHS32B      |         |             |         |
|  | 1101131     | ERH31101131 |                 |                 | 1100872 | EHS50B      |         |             |         |
|  | 1101132     | ERH41101132 | 1100863         | EH3B1           | 1100870 | EHS20B      | 1101148 | HOM4B       |         |
|  | 1101133     | ERH41101133 |                 |                 | 1100871 | EHS32B      |         |             |         |
|  | 1101134     | ERH41101134 |                 |                 | 1100872 | EHS50B      |         |             |         |
| 1101135                                      | ERH41101135 | 1100864     | EH3B2           | 1100870         | EHS20B  |             |         |             |         |
| 1101136                                      | ERH41101136 |             |                 | 1100871         | EHS32B  |             |         |             |         |
| 1101137                                      | ERH41101137 |             |                 | 1100872         | EHS50B  |             |         |             |         |
| 1101138                                      | ERH41101138 | 1100865     | EH3R1           | 1100870         | EHS20B  |             |         |             |         |
| 1101139                                      | ERH41101139 |             |                 | 1100871         | EHS32B  |             |         |             |         |
| 1101140                                      | ERH41101140 |             |                 | 1100872         | EHS50B  |             |         |             |         |
| 1101141                                      | ERH41101141 | 1100866     | EH3R2           | 1100870         | EHS20B  |             |         |             |         |
| 1101142                                      | ERH41101142 |             |                 | 1100871         | EHS32B  |             |         |             |         |
| 1101143                                      | ERH41101143 |             |                 | 1100872         | EHS50B  |             |         |             |         |

# NOARK®

---

**NOARK Electric North America**

(626) 330-7007

na.noark-electric.com • nasales@noark-electric.com



**Note:** NOARK Electric reserves the right to make technical changes or modify the contents of this document without prior notice. With regard to purchase orders, the agreed particulars shall prevail. NOARK Electric nor any of its affiliates or subsidiaries shall be responsible or liable for potential errors or possible lack of information in this document. NOARK Electric reserves all rights in this document and in the subject matter and illustrations contained therein. Any reproduction, disclosure to third parties or utilization of its contents – in whole or in parts – is forbidden without prior written consent of NOARK Electric.