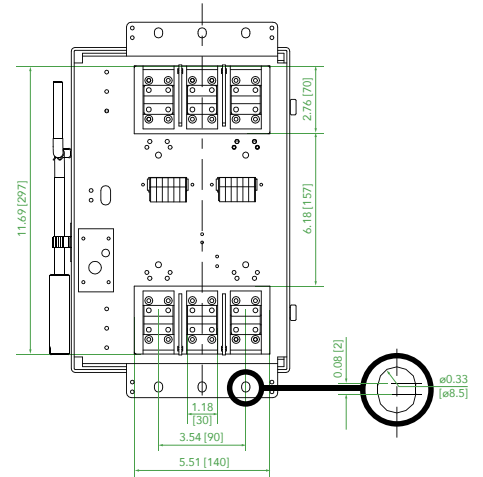
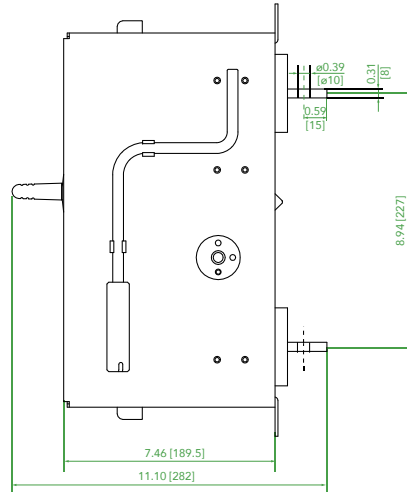
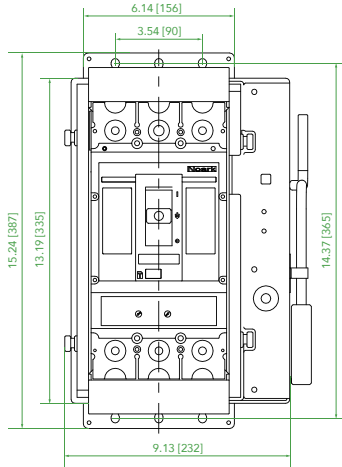


## DOB23N

### Draw-Out Base for M3

Unit: in [mm]



## DOB24N

### Draw-Out Base for M4

Unit: in [mm]

